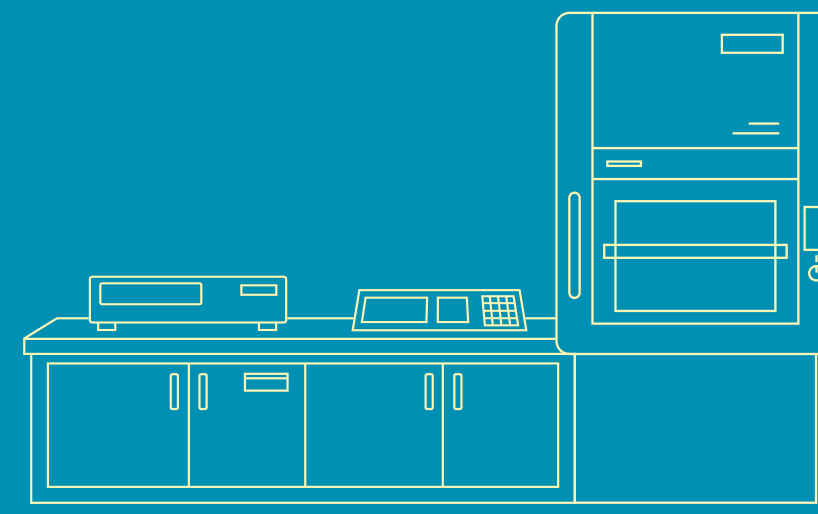
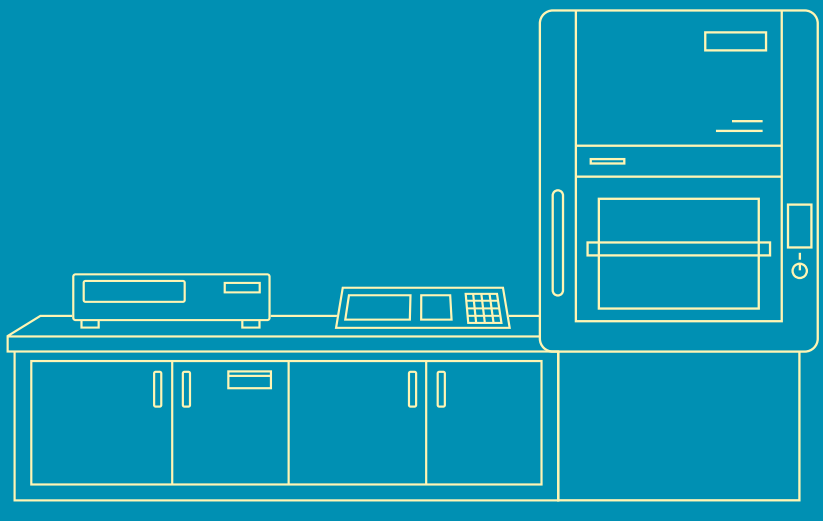


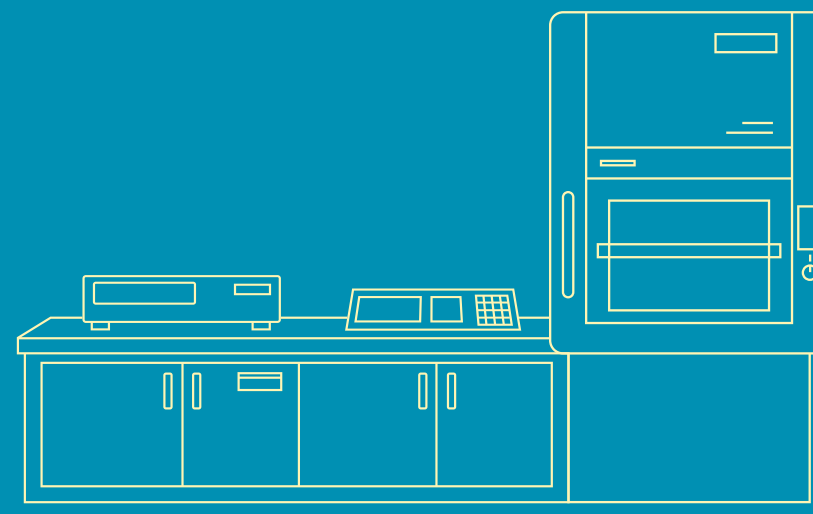
densitY  
PHARMACHEM

densitY  
PHARMACHEM

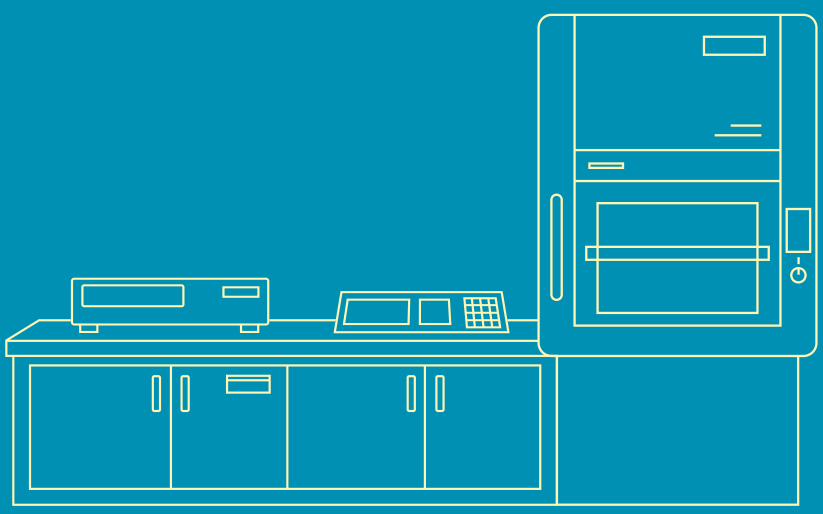


densitY  
PHARMACHEM

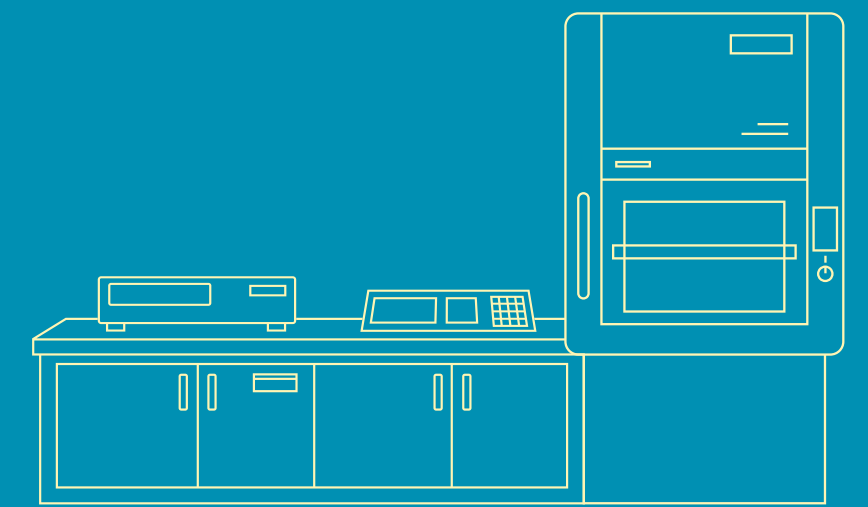
densitY  
PHARMACHEM



densitY  
PHARMACHEM



densitY  
PHARMACHEM



densitY  
PHARMACHEM

# LABORATORY FURNITURE

**VOLAB**  
High-end Laboratory Customization

densitY  
PHARMACHEM

**20** Years

**Leader Of High-end  
Laboratory Customization**

# **“We must take the construction of national laboratories as the starting point to strengthen national strategic scientific and technological strength.”**

Xi Jinping: Strive to build a world power in science and technology - Speech at the National Science and Technology Innovation Conference, the Academician Conference of the Chinese Academy of Sciences and the Chinese Academy of Sciences, and the Ninth National Congress of the China Association for Science and Technology (May, 30<sup>th</sup>, 2016).

## **Strengthen The Country, Forge Ahead**

To become a world power in science and technology, a major science center and an innovation highland in the world, we must have a number of world-class scientific research institutions, research universities, and innovative enterprises, and be able to continuously produce a number of major original scientific achievements. The Fifth Plenary Session of the 18th Central Committee of the Communist Party of China proposed to establish a number of national laboratories in major innovation fields.

## **Serving Science, Benefiting Mankind**

Think about what the people think and address their urgent needs, focus on major livelihood issues such as major disease prevention and control, food and drug safety, and population aging, significantly increase the supply of public science and technology, and allow the people to enjoy a more livable living environment and better quality of life. Medical and health services, more reliable food and medicine. We must rely on technological innovation to build a low-cost, wide-coverage, high-quality public service system. It is necessary to strengthen inclusive and public technology supply, develop low-cost disease prevention and control and telemedicine technologies, and achieve inclusive sharing of high-quality medical and health resources.



# CONTENTS

## 01 ABOUT VOLAB

---

## 03 V9 SERIES



---

V9 series introduction		03
Fume hood	Bench-top fume hood	04
	Full steel single/double sided fume hood(desktop)	05
Cabinet	Reagent cabinet	06
	Exhaust reagent cabinet	06
	Utensil cabinet	06
	Gas cylinder cabinet	07
	Wardrobe	08
Laboratory benches	Laboratory benches	09
	Laboratory benches functional cabinet	10
	Laboratory benches selection	11
	Laboratory benches frame selection	12
Reagent cabinet	Side benches reagent cabinet	13
	Central benches reagent cabinet	13
Wall mounted cabinet	Single/double door wall mounted cabinet	14
	Flip door wall mounted cabinet	14
Mobile cabinet	Single door mobile cabinet	15
	Single door single drawer mobile cabinet	15
	3 drawer mobile cabinet	15

---

# 16 V7 SERIES



<b>V7 series introduction</b>		16
<b>Fume hood</b>	Fume hood introduction	17
	Bench-top fume hood	18
	Full steel single/double sided fume hood(desktop)	19
	Step-in fume hood	20
<b>Cabinet</b>	Reagent cabinet	21
	Exhaust reagent cabinet	21
	Utensil cabinet	21
	Gas cylinder cabinet	22
	Wardrobe	23
	Hazardous chemical safety cabinet	24
	Shelf	25
<b>Laboratory benches</b>	Laboratory benches	26
	Laboratory benches functional cabinet	27
	Laboratory benches selection	28
<b>Reagent cabinet</b>	Side benches/central benches reagent cabinet	29
<b>Wall mounted cabinet</b>	Side benches single/double door wall mounted cabinet	30
	Central benches single/double door wall mounted cabinet	30
<b>Mobile cabinet</b>	Single door mobile cabinet	31
	Single door single drawer mobile cabinet	31
	3 drawer mobile cabinet	31
<b>Instrument benches</b>	Instrument benches	32
<b>Stable benches</b>	Stable benches	33

# ABOUT VOLAB

---

## 3000m<sup>2</sup> Operation Service Center

Founded in Shenzhen, Shenzhen VOLAB Technology Co., Ltd is a National High-tech Enterprise integrated with R&D, design, sales, and service of High-end laboratory furniture. Awarded as Shenzhen Top Brand, VOLAB always adheres to the corporate mission of “Serving Science and Benefiting Mankind”, the service concept of “Customer First, Dedicated Services” and the development concept of “Innovation, Manufacturing and Service”. VOLAB has now obtained more than 50 patents, establishing the industry advantage of “Technology and Brand”, and has become the leader of High-end customized laboratory brand in China.

Certified with ISO 9001, ISO 14001, SEFA 10, SEFA 11, ASHRAE 110, EN 14727, EN 13150-2020, EN 14175, CE, CEC Ten-ring, VOLAB has been serving countries and regions covering Europe, North America, Middle East, Asia, etc.

## 100 000m<sup>2</sup> R&D and Production Base

Equipped with the industry-leading Prima Power sheet metal flexible production line, VOLAB adopts international manufacturing technology, implements strict quality control, and achieves fully automatic sheet metal standardization and refined flexible production, which ensures the high quality of sheet metal processing, high efficiency and manpower saving. VOLAB owns a fully automatic spraying production line at a length of more than 500m, and adopts ceramic treatment process. The whole production process complies with National Energy Conservation and Emission Reduction Standard. The self-developed 3D virtual equipment customization software - VOLAB Cloud can help to realize High-end customization and rapid layout of laboratory furniture, quickly produce renderings, quotation, and single-piece drawings, and can be directly connected to the production line.

VOLAB is dedicated to promote the transformation and upgrading of laboratory equipment, committed to making laboratories safer, greener and more interconnected, and realizing our mission of "Serving Science and Benefit Mankind" !



PATENTS

50+



FOUNDED

2005



CASES

5000+



SHENZHEN

TOP BRAND AWARD



R&D AND PRODUCTION BASE

100000 m<sup>2</sup>



FIRST ADVANCED EQUIPMENT SHEET METAL  
FLEXIBLE PRODUCTION LINE IN CHINA

PRIMAPOWER



FULLY AUTOMATIC SPRAYING LINE

500M+





## Introduction

V9 series products pursue perfection in craftsmanship and modeling, interpreting the perfect combination of art and laboratory in safety, practicality, and humanization. The design of the v9 series comes from diamonds, which is of high hardness, high value, high stability. The appearance uses the large chamfer-ed shape of the suspended bridge gemstone section as the main design element, which extends to other parts to achieve visual unity and coordination as a series design.

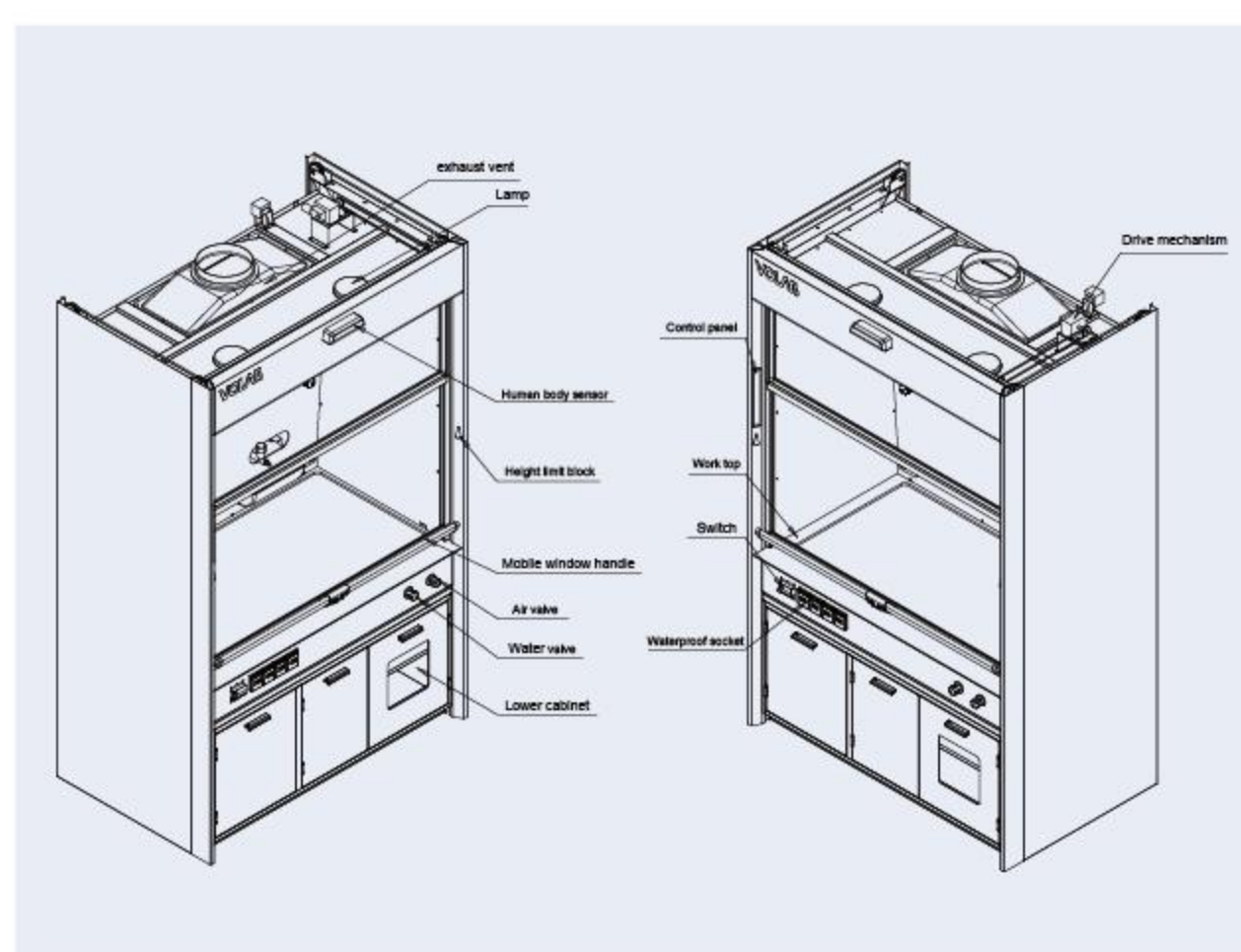
Certificates: ASHRAE110-2016, EN14175-3-2019, GB6412-1999, GB24820-2009, QB/T 5589-2021, CEC Ten-ring.

V9 series is including: Fume hood(bench-mounted, desktop), Laboratory benches(side benches, central benches, sink cabinet, corner cabinet, reagent rack, wall-mounted cabinet, mobile cabinet), Cabinet(reagent cabinet, utensil cabinet, gas cylinder cabinet, wardrobe), etc.

## Features

- 1、 V9 fume hood can ensure safety in low wind conditions with the face velocity at 0.3m/s and perfect anti-interference ability.
- 2、 The series uses self-molding aluminum alloy handles with unique appearance.
- 3、 It adopts prefabricated design, easy installation, flexible matching, energy saving and environmental protection, and can greatly reduces the cost of secondary relocation or modification of the laboratory with most parts reusable.
- 4、 The multi-functional combination style cabinet of the experimental bench can meet most needs of the market. The arc design of the door panel ensures the safety of the users. The collision of gray and white colors makes the laboratory full of vitality.

## V9 Bench-mounted Fume Hood



Single piece drawing

Face velocity 0.3m/s, tracer gas leakage rate 0PPM, wind resistance 17.5pa, perfect anti-interference, ensures safety in low wind conditions.

The main structure is modular assembled with aluminum alloy profiles, steel cold-rolled plates (1.2-1.5) sheet meta. The sheet meta is processed with pre-degreasing, main degreasing, water washing, ceramicization, water washing, drying, epoxy resin electrostatic powder spraying (coating thickness 0.06 -0.08mm), using paint from AkzoNobel (Netherlands), using a 500m automatic spraying line (Suspension type assembly line), baked at 200 degrees, leveled and solidified, and can withstand salt spray testing for 48 hours.

VOLAB fume hood uses a narrow-framed column with a curved shape and an air supply wing (material: industrial level aluminum alloy). The movable window is embedded inside the column without being exposed. This design helps to prevent air leakage and can increase the visualization area. Imported from Italy, the glass has a thickness of 3.7mm and a width of 10mm. The movable window has an anti-fall function to enhance the safety.

**Functional accessories:** Deflector fixings (material: nylon), lining plate (material: compact laminate/ceramic fiber board), electrical socket (self molded);

**Structure accessories:** Customized self-molding aluminum alloy handles, window handle, handle decorations, height limit blocks (material: aluminum alloy);

The electrical system is equipped with 1 set of 32A leakage circuit breaker, 2 pieces 16A three-hole dustproof sockets, and 2 pieces 10A three-hole dustproof sockets.

**Certificates:** ASHRAE110-2016、EN14175-3-1999、GB6412-1999、GB24820-2009、QB/T 5589-2021、CEC Ten-ring.

Item	V9 bench-mounted fume hood		
Model	V9-FG-1200	V9-FG-1500	V9-FG-1800
Dimension (L*W*H)	1200*900*2400MM	1500*900*2400MM	1800*900*2400MM
Work Top W	1110MM	1410MM	1520MM
Internal D		730MM	
Internal H		1345MM	
Work H		850MM	
Gas Collecting Hood Diameter	250MM	250MM	315MM
Optional	VAV, CAV, water cup, water valve, air valve, synthetic rack		
Material	Structure	Upper cabinet disassembly/lower cabinet integral welding	
	Socket	Waterproof socket 10a*3, 16a*2, air switch	
	Visualization window	Explosion-proof tempered glass	
	Lining board	5mm compact laminate/ceramic fiber board	
	Work top	Physio-chemical board/ceramic board/epoxy resin board	
	Lower cabinet	3 doors / 4 doors cabinet	

# V9 Desktop Fume Hood

Face velocity 0.3m/s. The main structure is modular assembled with aluminum alloy profiles, steel cold-rolled plates (1.2-1.5) sheet meta. The sheet meta is processed with pre-degreasing, main degreasing, water washing, ceramicization, water washing, drying, epoxy resin electrostatic powder spraying (coating thickness 0.06 -0.08mm), using paint from AkzoNobel (Netherlands), using a 500m automatic spraying line (Suspension type assembly line), baked at 200 degrees, leveled and solidified, and can withstand salt spray testing for 48 hours.

**Functional accessories:** Deflector fixings (material: nylon),

lining plate (material: compact laminate/ceramic fiber board), electrical socket (self molded);

**Electrical system:**

**Desktop single side:** The electrical system is equipped with 1 set of 25A leakage circuit breaker, 2 pieces 16A three-hole dust-proof sockets, and 2 pieces 10A three-hole dustproof sockets.

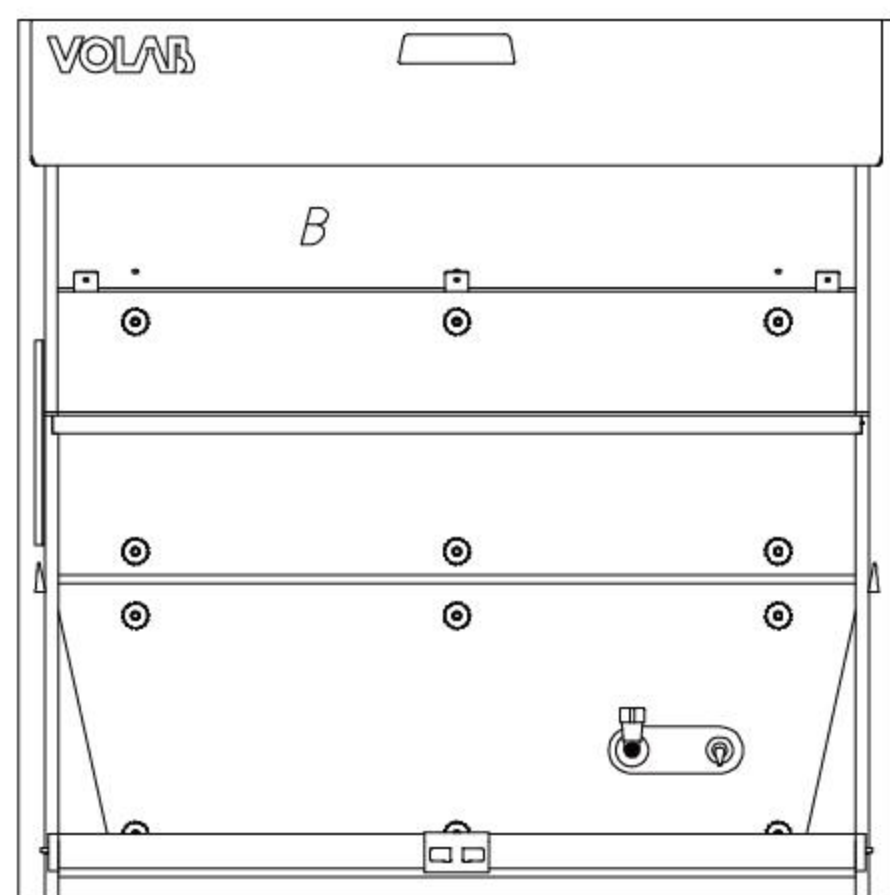
**Desktop double side:** The electrical system is equipped with 1 set of 25A leakage circuit breaker, 4 pieces 16A three-hole dust-proof sockets, and 4 pieces 10A three-hole dustproof sockets.



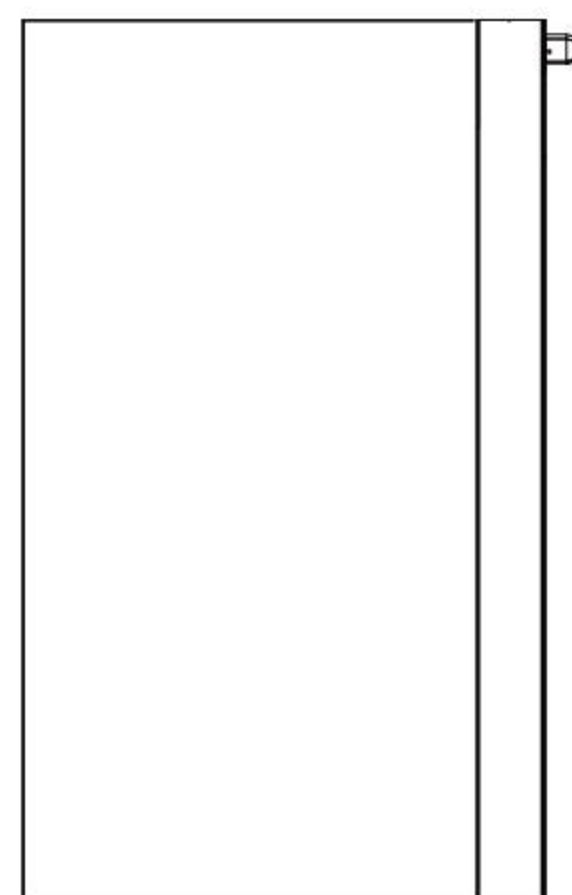
V9 desktop single side fume hood



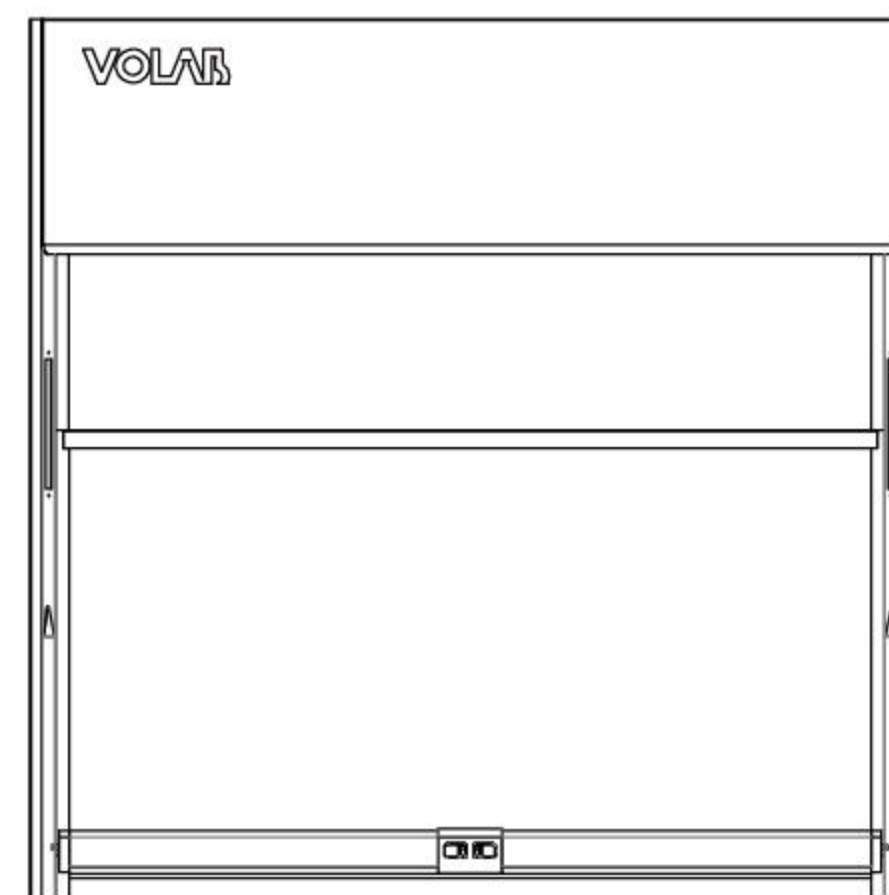
V9 desktop double side fume hood



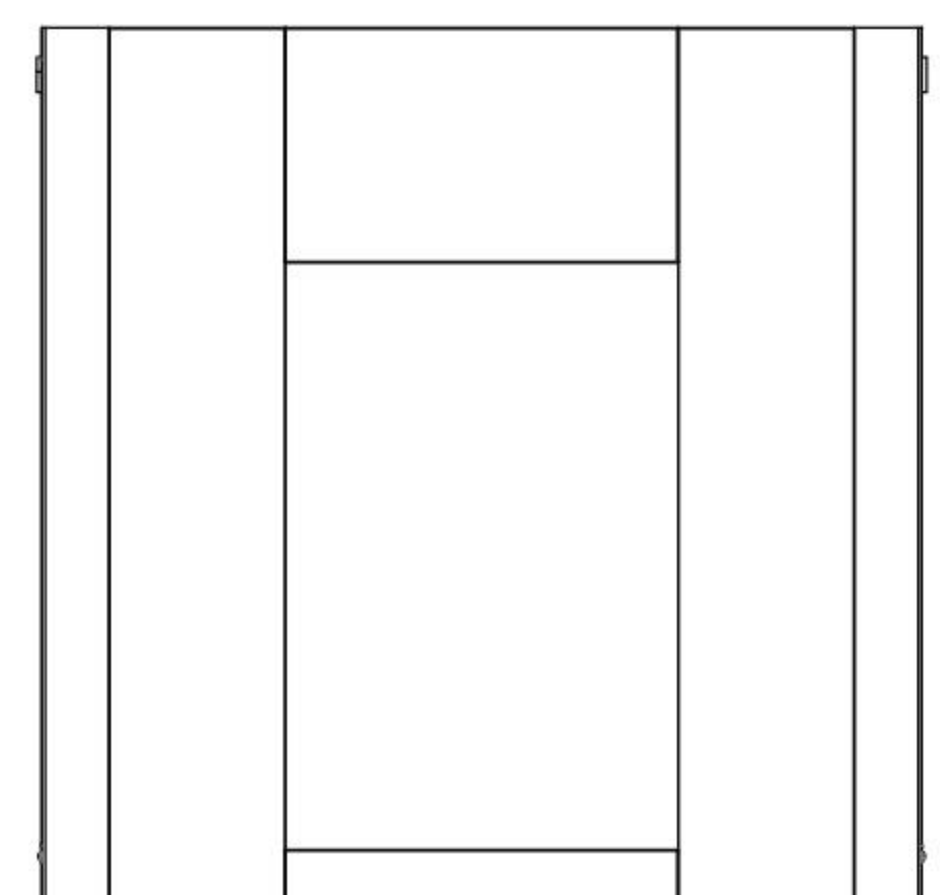
Main view



Lateral view



Main view



Lateral view

Item	V9 desktop single side fume hood	V9 desktop double side fume hood
Model	V9-FGDZ-1500	V9-FGBZ-1500
Dimension (L*W*H)	1500*850*1500mm	1500*1500*1500mm
Work top W	1410mm	1410mm
Internal D	730mm	1360mm
Internal H	1345mm	
Work H	850mm	
Gas collecting hood diameter	250mm	250mm
Optional	VAV, CAV, water cup, water valve, air valve, synthetic rack	
Material	Visualization window	Explosion-proof tempered glass
	Lining board	5mm compact laminate/ceramic fiber board

## V9 Cabinet (Reagent Cabinet/Exhaust Reagent Cabinet/Utensil Cabinet)

Reagent cabinets are used in laboratories to store laboratory drugs, reagent bottles, glass test tubes , etc.. The exhaust reagent cabinet can be connected to ventilation ducts and can be equipped with a timed exhaust device.

The utensil cabinet is suitable for storing various acid-base drugs in the laboratory, such as sulfuric acid, hydrochloric acid, nitric acid and laboratory instruments after cleaning. Double locks are optional to facilitate the safe storage and management of laboratory drugs.

The main structure is modular assembled with aluminum alloy profiles, 1.0mm thickness steel cold-rolled plates sheet meta. The sheet meta is processed with a series of complex processes including shearing, bending, welding, stamping and grinding, pre-degreasing, main degreasing, water washing, ceramicization, water washing, drying, epoxy resin electrostatic powder spraying (coating thickness 0.06 -0.08mm), using paint from AkzoNobel (Netherlands), using a 500m automatic spraying line (Suspension type assembly line), baked at 200 degrees, leveled and solidified, and can withstand salt spray testing for 48 hours.

**Certificates:** EN14727-2005、SEFA11-2020、GB 24820-2009、CEC Ten-ring.



V9 reagent cabinet



V9 exhaust reagent cabinet



V9 utensil cabinet

Item	V9 reagent cabinet	V9 exhaust reagent cabinet	V9 utensil cabinet
Model	V9-SJG-900	V9-PF-SJG-900	V9-QMG-900
Dimension (L*W*H)	900*450*1800mm		
Material	Cabinet body	Epoxy resin electrostatic sprayed 1.0mm thickness cold rolled steel	
	Structure	Reinforced disassembly and assembly structure	
	Handle	VOLAB blue arc handle	
	Hinge	DTC buffer hinge	
Exhaust outlet diameter	None	110MM	None

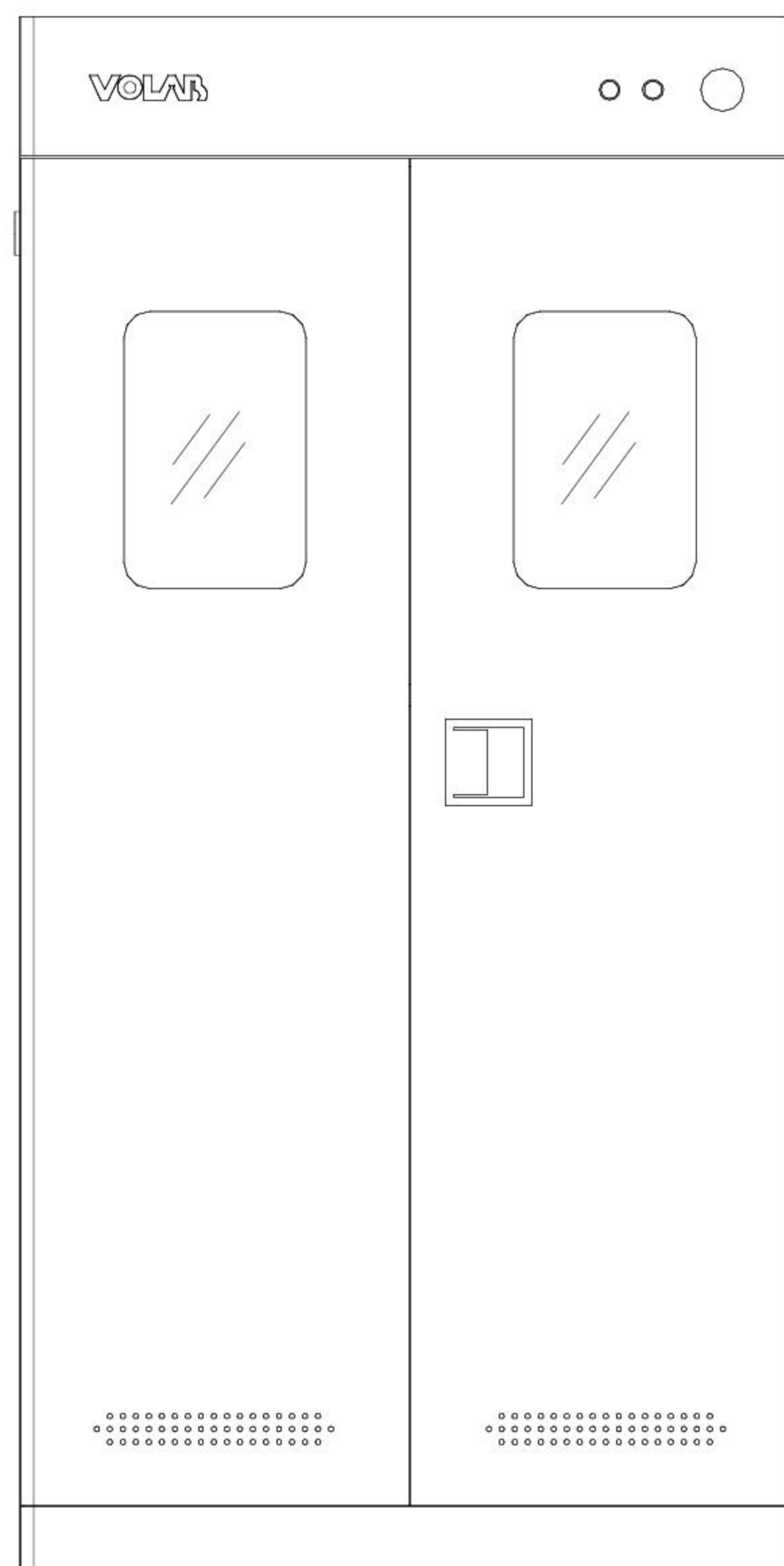
## V9 Cabinet (Gas Cylinder Cabinet)

Gas cylinder cabinets are used in laboratories to store hazardous gas cylinders and other items.

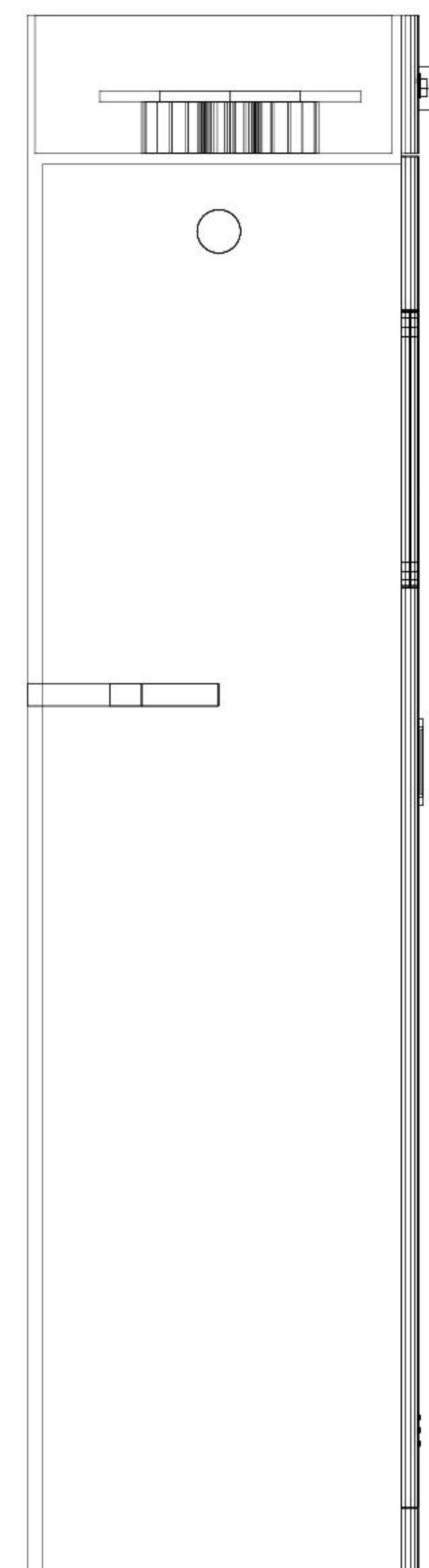
The main structure is modular assembled with aluminum alloy profiles, 1.0mm thickness steel cold-rolled plates sheet meta. The sheet meta is processed with a series of complex processes including shearing, bending, welding, stamping and grinding, pre-degreasing, main degreasing, water washing, ceramicization, water washing, drying, epoxy resin electrostatic powder spraying (coating thickness 0.06 -0.08mm), using paint from AkzoNobel (Netherlands), using a 500m automatic spraying line (Suspension type assembly line), baked at 200 degrees, leveled and solidified, and can withstand salt spray testing for 48 hours.

The gas cylinder cabinet is equipped with a purging system, alarms and exhaust holes inside to improve exhaust ventilation, protect cylinders (gas bottles) from fire outside the cabinet, and protect surrounding objects from fire inside.

**Certificates:** EN14727-2005、SEFA11-2020、GB 24820-2009、CEC Ten-ring.



Main view



Lateral view

Item	V9 gas cylinder cabinet with alarms	
Model	V9-QPG-900	
Dimension (L*W*H)	900*450*1800mm	
Material	Cabinet body	1.0mmsteel
	Visualization window	Square with rounded corners 5mm glass
	Structure	Combined fastener assembly structure
	Handle	Safety lock handle
	Alarm	Yes

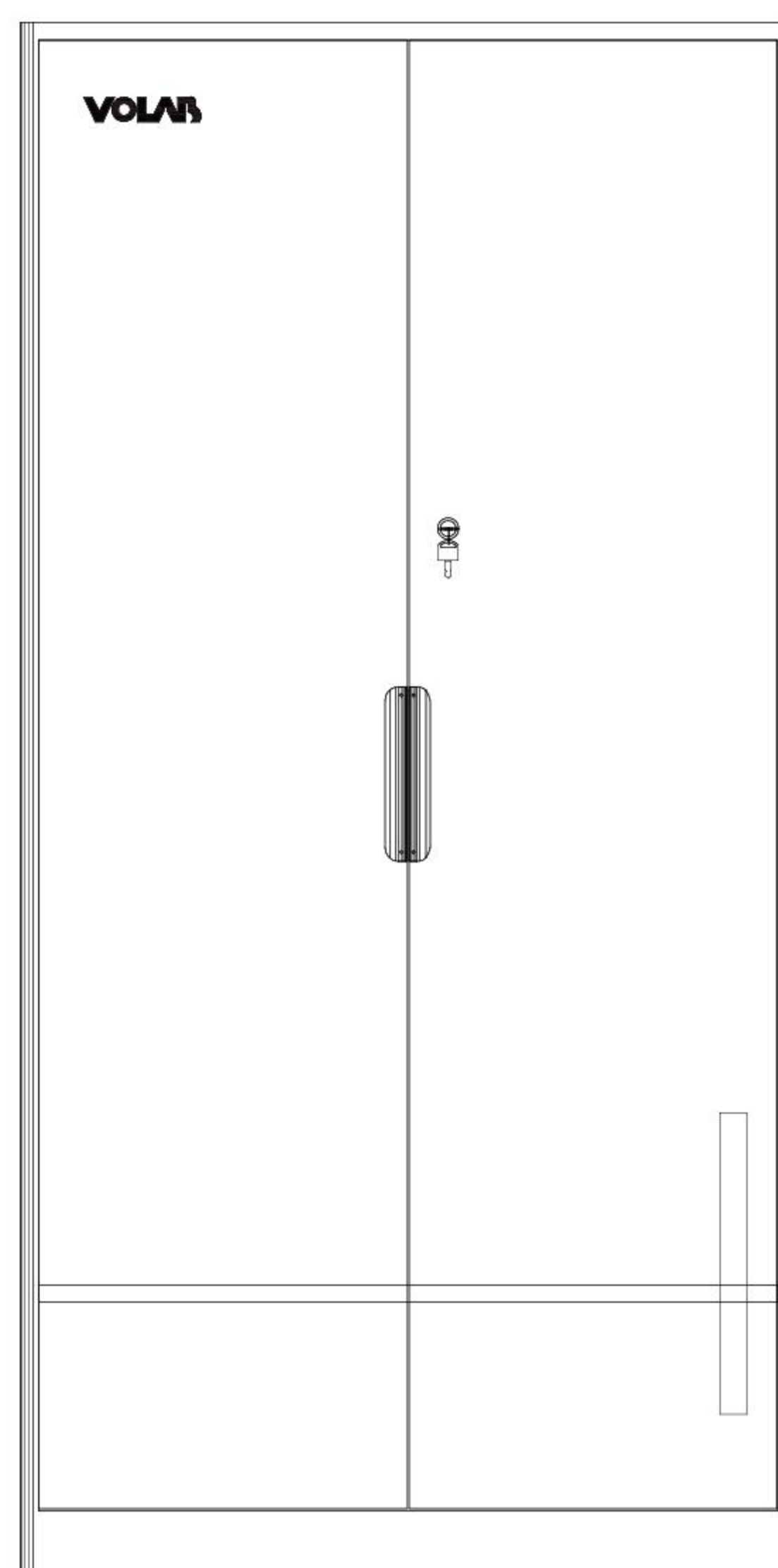
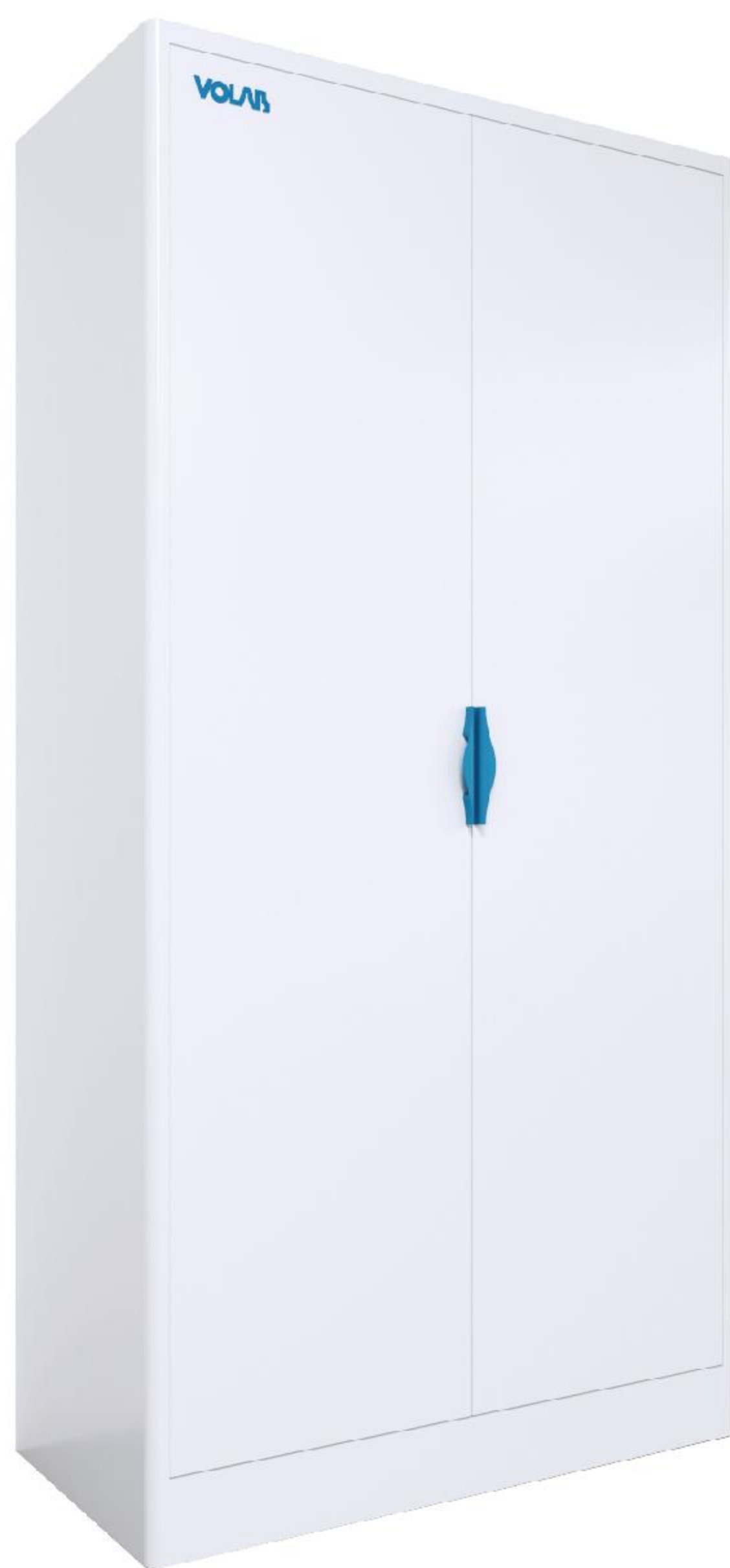
## V9 Cabinet (Wardrobe)

Wardrobes are used in laboratories to store personal items such as clothes, shoes, hats and others.

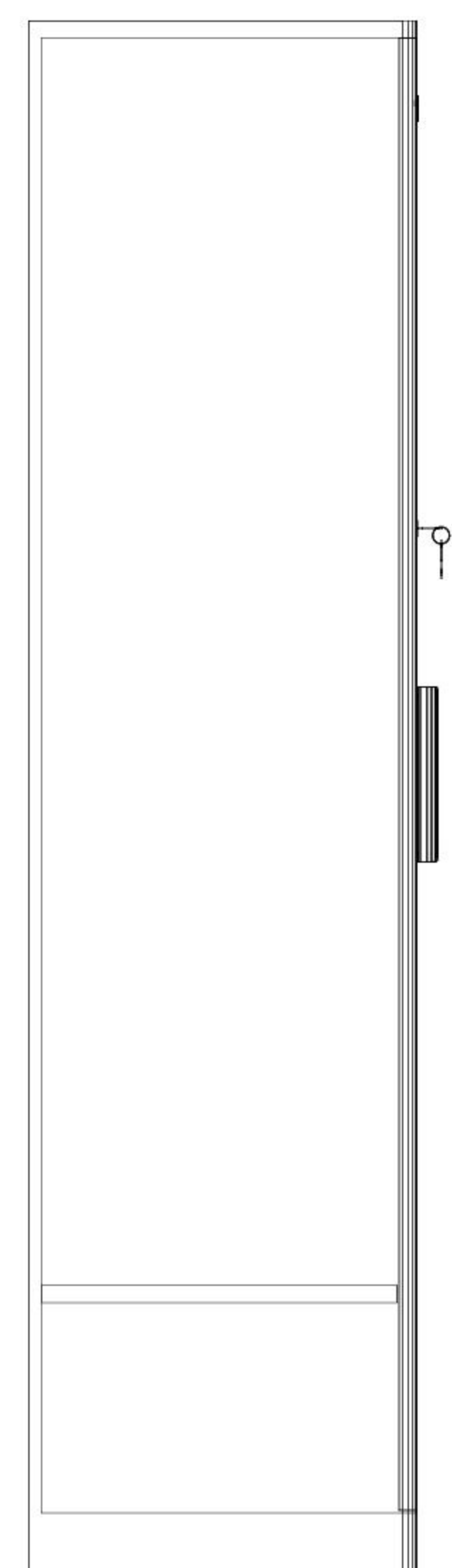
The main structure is modular assembled with aluminum alloy profiles, 1.0mm thickness steel cold-rolled plates sheet meta. The sheet meta is processed with a series of complex processes including shearing, bending, welding, stamping and grinding, pre-degreasing, main degreasing, water washing, ceramicization, water washing, drying, epoxy resin electrostatic powder spraying (coating thickness 0.06-0.08mm), using paint from AkzoNobel (Netherlands), using a 500m automatic spraying line (Suspension type assembly line), baked at 200 degrees, leveled and solidified, and can withstand salt spray testing for 48 hours.

The door panel is equipped with ventilation holes, which can effectively maintain the air circulation in the cabinet. The built-in stainless steel clothes hanging rod and shelf support are easy to use and the space is reasonably distributed.

**Certificates: EN14727-2005、SEFA11-2020、GB 24820-2009、CEC Ten-ring.**



Main view



Lateral view

Item	V9 wardrobe	
Model	V9-GYG-900	
Dimension (L*W*H)	900*450*1800mm	
Material	Cabinet body	Epoxy resin electrostatic sprayed 1.0mm thickness cold rolled steel
	Structure	Reinforced disassembly and assembly structure
	Handle	VOLAB blue arc handle
	Hinge	DTC buffer hinge

# V9 Benches

The laboratory bench consists reagent racks, suspended bridge modules, functional columns, wall-mounted cabinets, and base cabinets. It can be matched and combined according to customer needs. It also meets customer needs for water, electricity, and gas, creating convenient and comfortable laboratory working environment for users.

Introduction:

- 1、 Structure: 30\*60 welded components and modular assembly of parts.
- 2、 The main structure is modular assembled with aluminum alloy profiles, 1.0mm thickness steel cold-rolled plates sheet meta. The sheet meta is processed with a series of complex processes including shearing, bending, welding, stamping and grinding, pre-degreasing, main degreasing, water washing, ceramicization,

water washing, drying, epoxy resin electrostatic powder spraying (coating thickness 0.06 -0.08mm), using paint from AkzoNobel (Netherlands), using a 500m automatic spraying line (Suspension type assembly line), baked at 200 degrees, leveled and solidified, and can withstand salt spray testing for 48 hours.

3、 Hardware accessories:

- (1)KAV or DTC high-quality silent three-section slide rail.
- (2)Hardware accessories:DTC high quality hinge, 270°
- 4、 Handle: V9 Special molded aluminum alloy handle
- 5、 Maximum load capacity: 1000KG

**Certificates: SEFA 10-2020、 EN 13150-2020、 GB 24820-2009 、 CEC Ten-ring.**



V9 floor side bench



V9 frame side bench



V9 floor central bench



V9 frame central bench

Item	V9 laboratory bench	V9 laboratory bench - frame
Model	V9-SYT-L	V9-SYT-L-2
Dimension (L*W*H)	L*750/1500*850mm	L*750/1500*850mm
Material	Type	Floor type
	Frame	None
	Cabinet body	1.0mm steel
	Cabinet door structure	Double-layer sound insulation, cover door (with anti-collision bevel + arc)
	Handle	VOLAB blue arc handle
	Structure	Disassembly and assembly structure
	Paint	Epoxy resin electrostatic spraying, salt spray resistance test for 48 hours
	Hinge	DTC buffer hinge
	Slide rail	DTC high-quality silent three-section slide rail
	Work top	Physio-chemical board/ceramic board/epoxy resin board (Optional)
	Water accessories	Optional

## V9 Laboratory Bench Function Cabinet

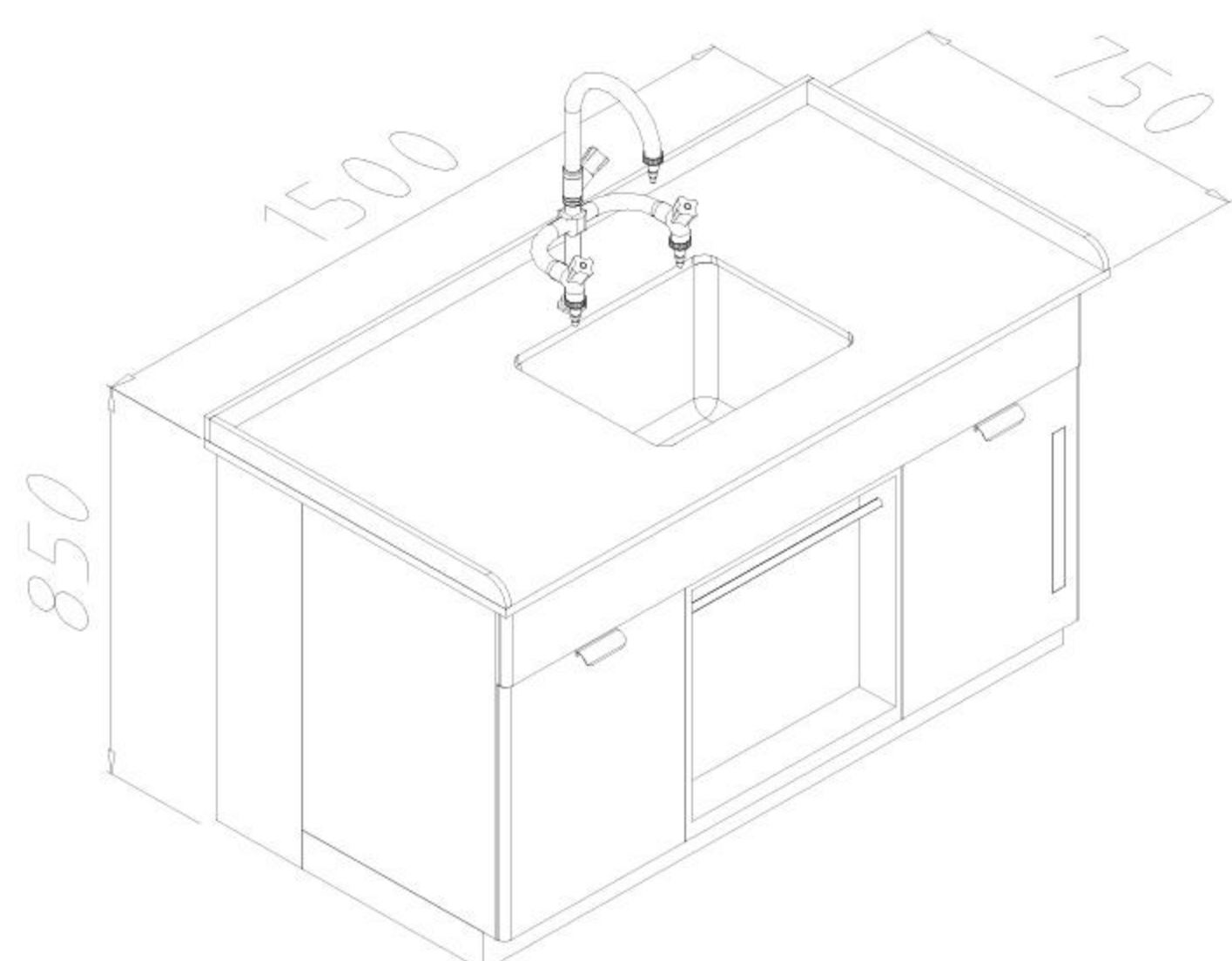
The sink cabinet is used for laboratory cleaning and disinfection, usually consisting of a sink and a work top. Its main function is to provide a clean and hygienic working environment to ensure the accuracy and reliability of experimental operations.

Two types: single-port and double-port. A single-port sink has only one faucet, which is suitable for use in some small laboratories; while a double-port sink has two faucets, which can supply cold and hot water at the same time, making cleaning and disinfection more convenient.

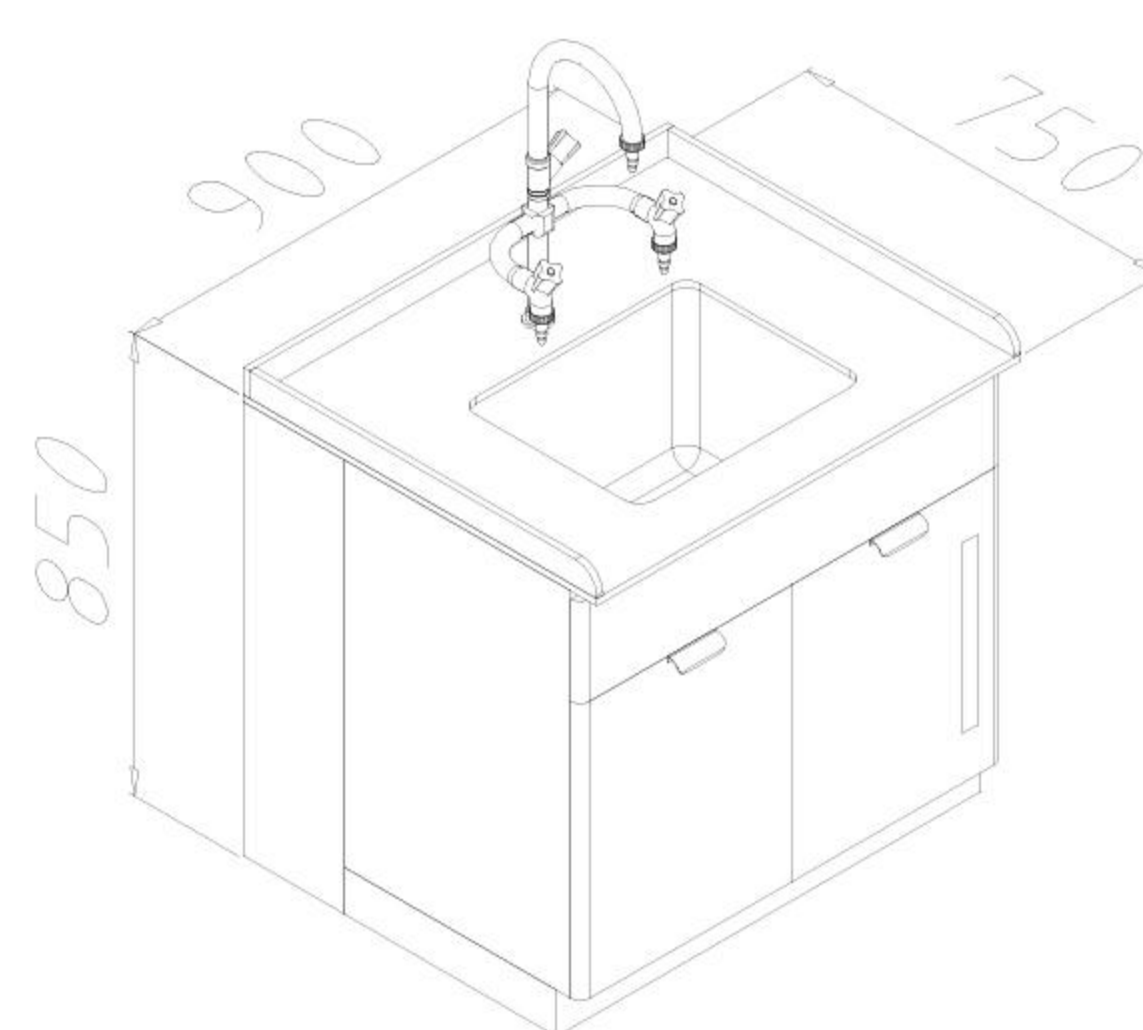
Corner cabinets are mainly used to store documents, and other items. They are generally placed in the corners of the laboratory and are used to connect vertical cabinets to improve space utilization and aesthetics.

tion and aesthetics.

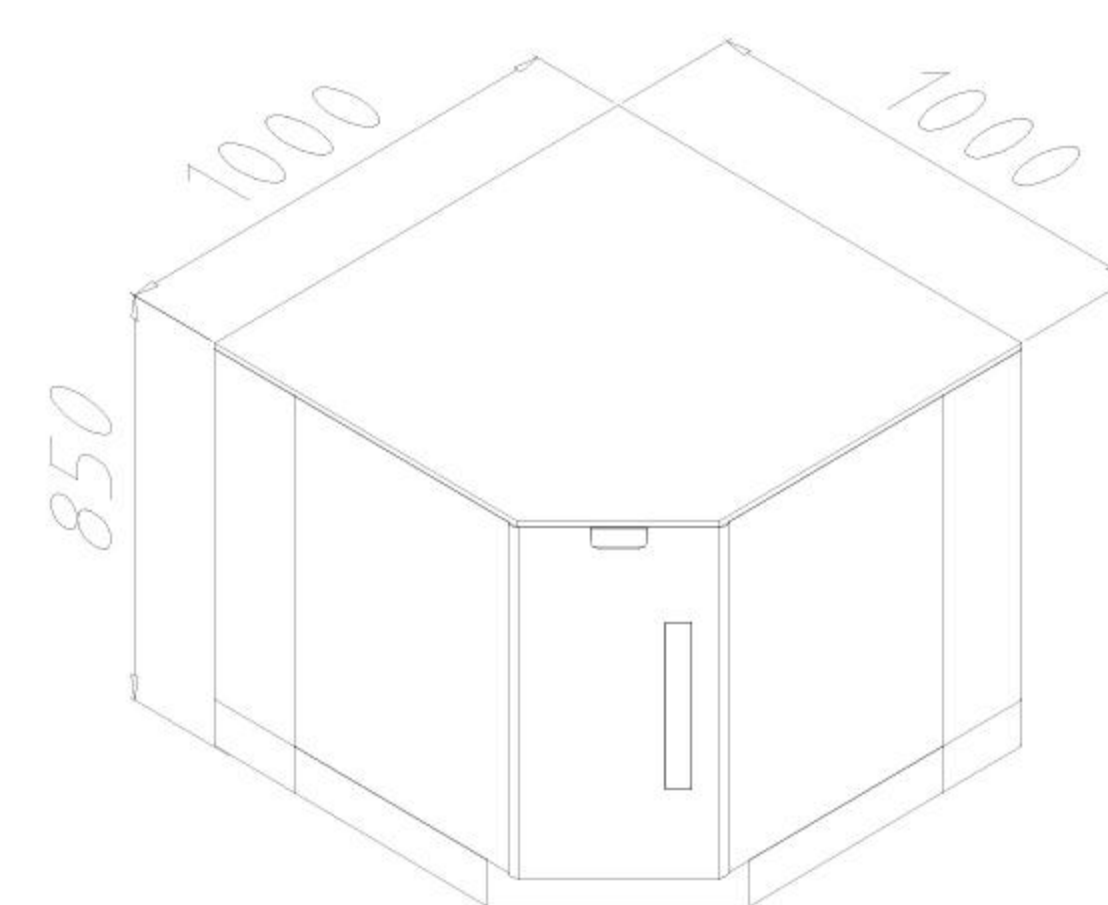
The main structure is modular assembled with aluminum alloy profiles, 1.0mm thickness steel cold-rolled plates sheet meta. The sheet meta is processed with a series of complex processes including shearing, bending, welding, stamping and grinding, pre-degreasing, main degreasing, water washing, ceramicization, water washing, drying, epoxy resin electrostatic powder spraying (coating thickness 0.06 -0.08mm), using paint from AkzoNobel (Netherlands), using a 500m automatic spraying line (Suspension type assembly line), baked at 200 degrees, leveled and solidified, and can withstand salt spray testing for 48 hours.



V9 sink cabinet 1500L single piece drawing



V9 sink cabinet 900L single piece drawing

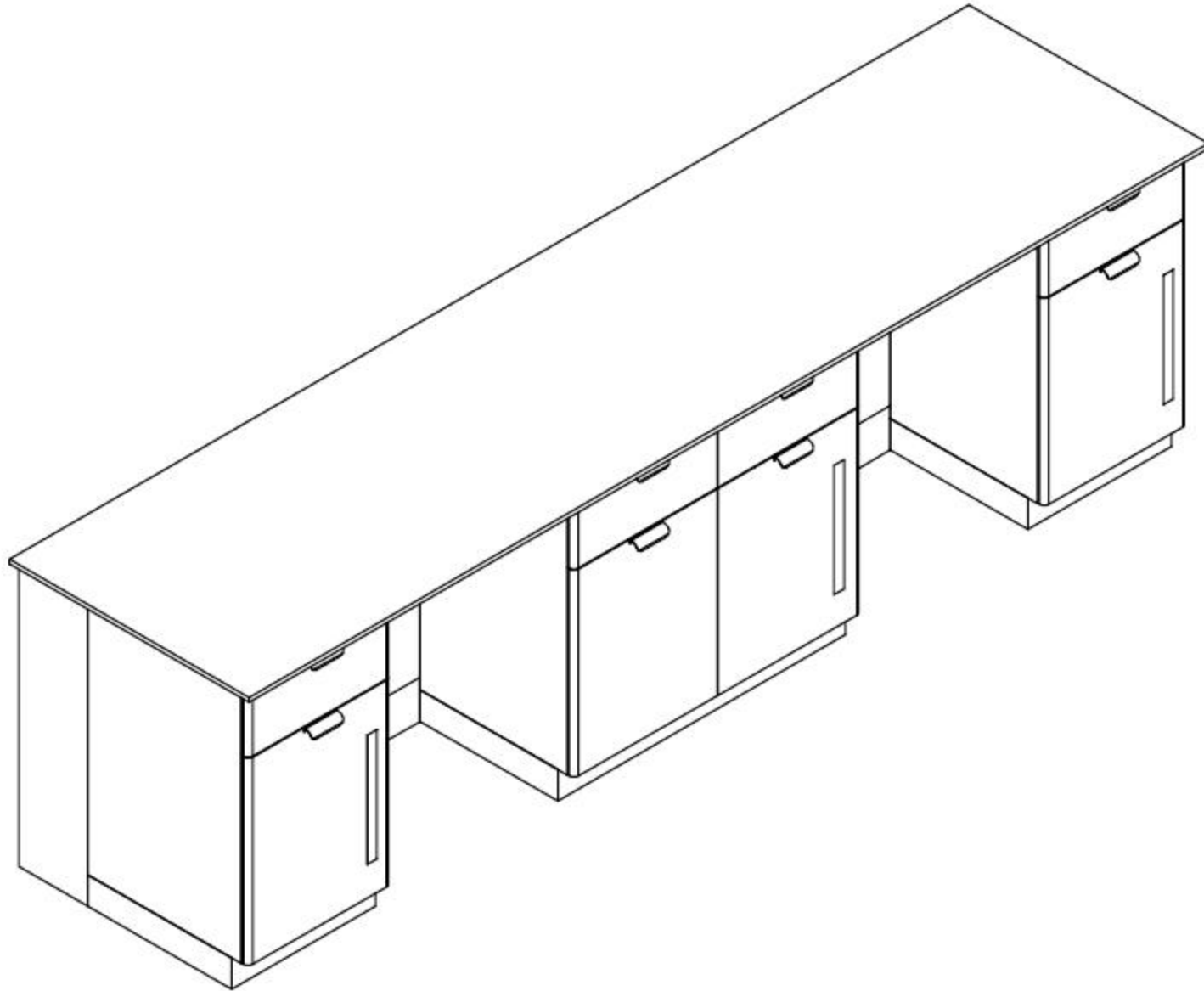


V9 corner cabinet single piece drawing

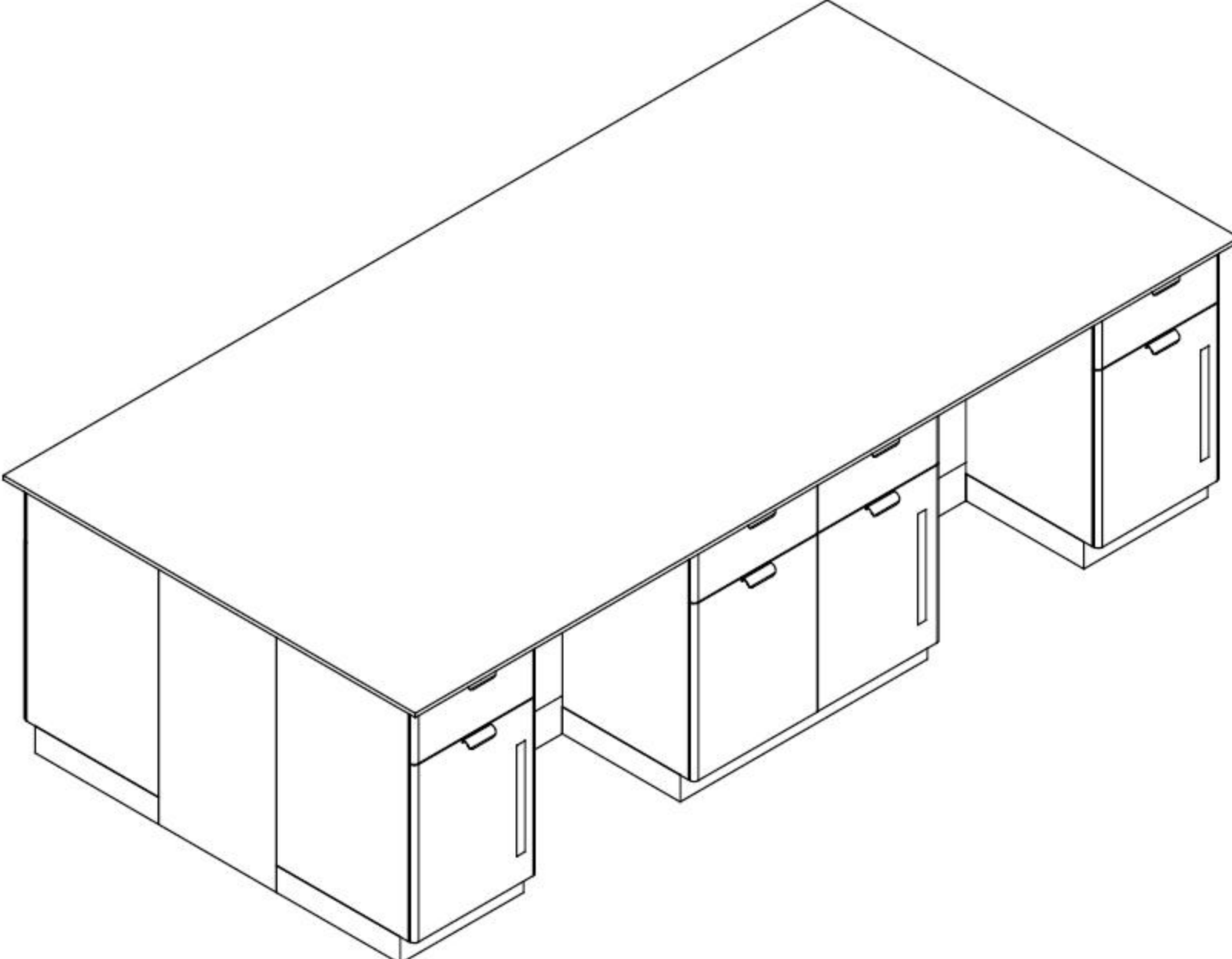
Item	V9 sink cabinet	V9 corner cabinet
Model	V9-SCG-900/1500	V9-ZJT-1000
Dimension (L*W*H)	900/1500*750*850mm	1000*1000*850mm
Material	Type	Floor type
	Cabinet body	1.0mm steel
	Cabinet door structure	Double-layer sound insulation built-in door
	Handle	Volab blue arc handle
	Structure	Disassembly and assembly structure
	Paint	Epoxy resin electrostatic spraying, salt spray resistance test for 48 hours
	Hinge	Dtc buffer hinge
	Work top	Physio-chemical board/ceramic board/epoxy resin board (optional)
Water accessories	optional	



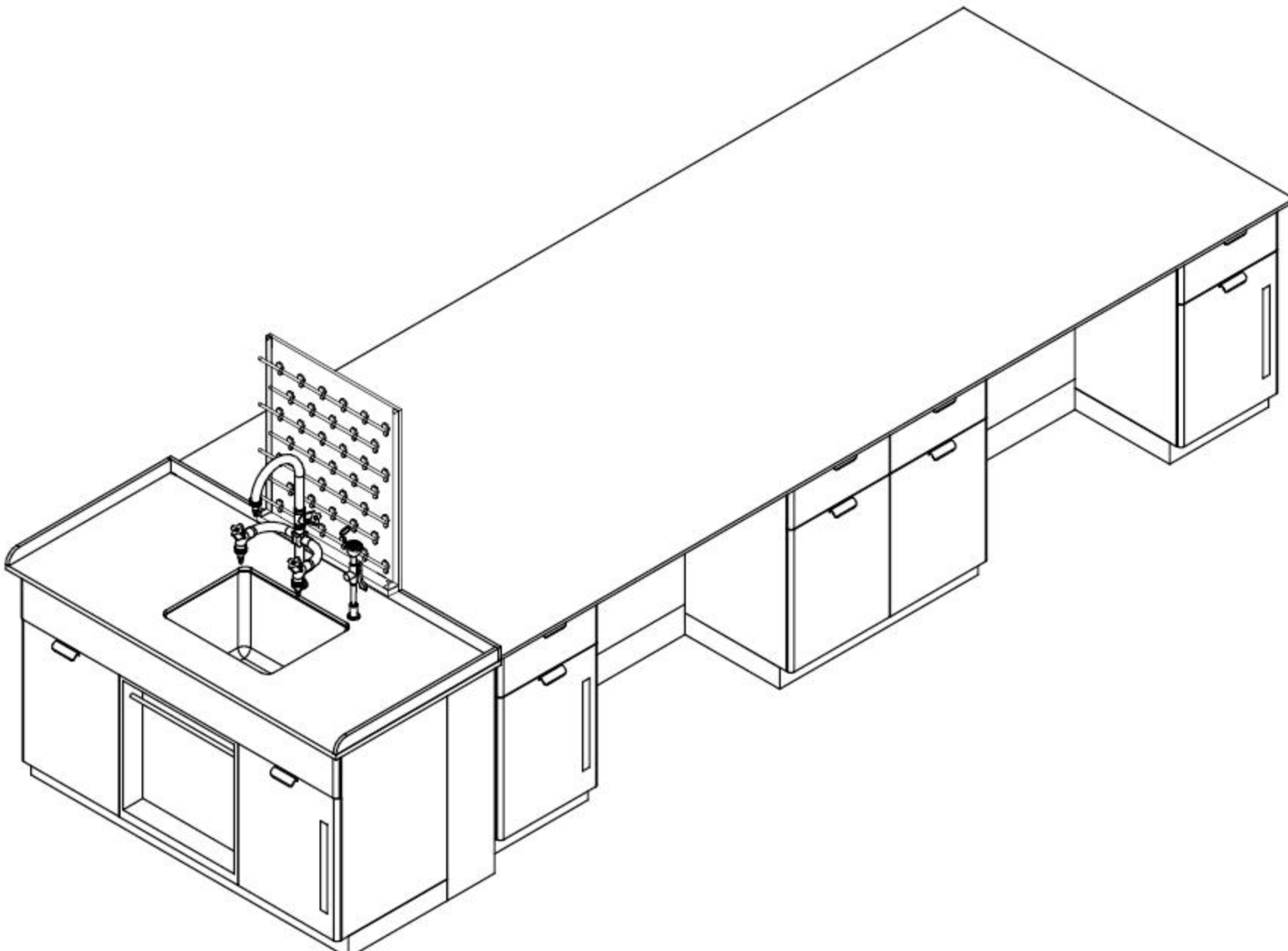
# V9 Laboratory Benches Selection



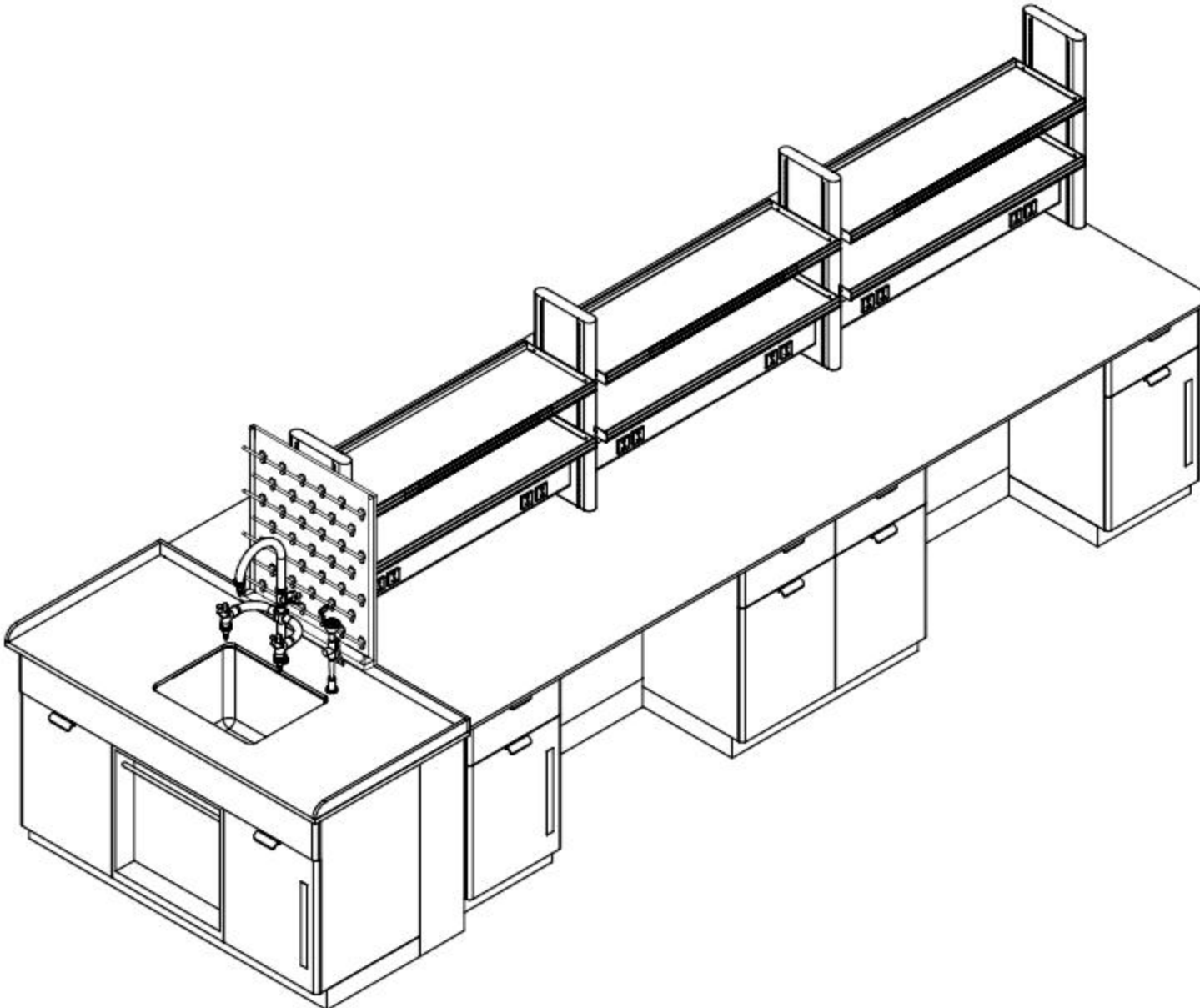
V9 laboratory benches selection 1



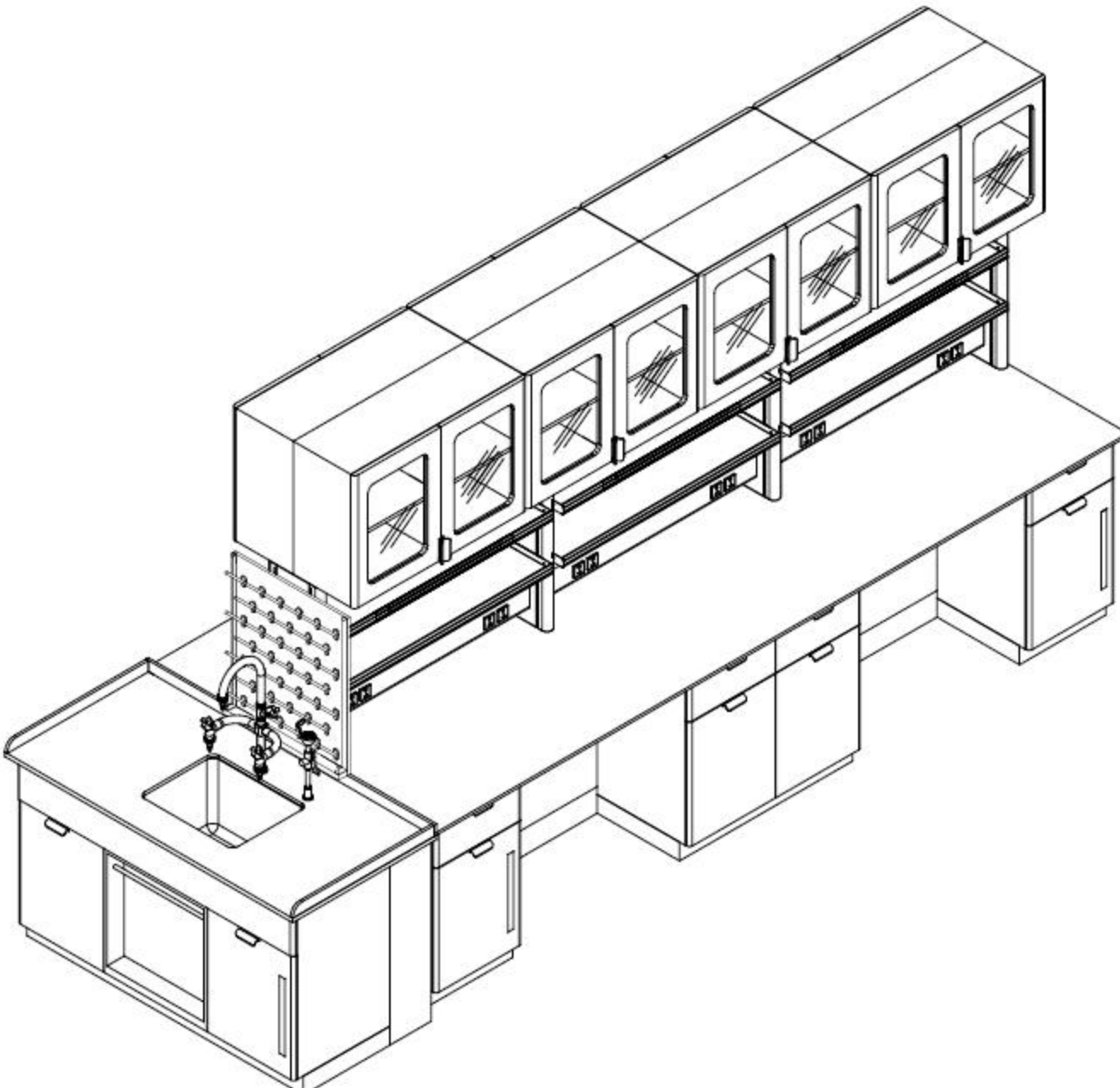
V9 laboratory benches selection 2



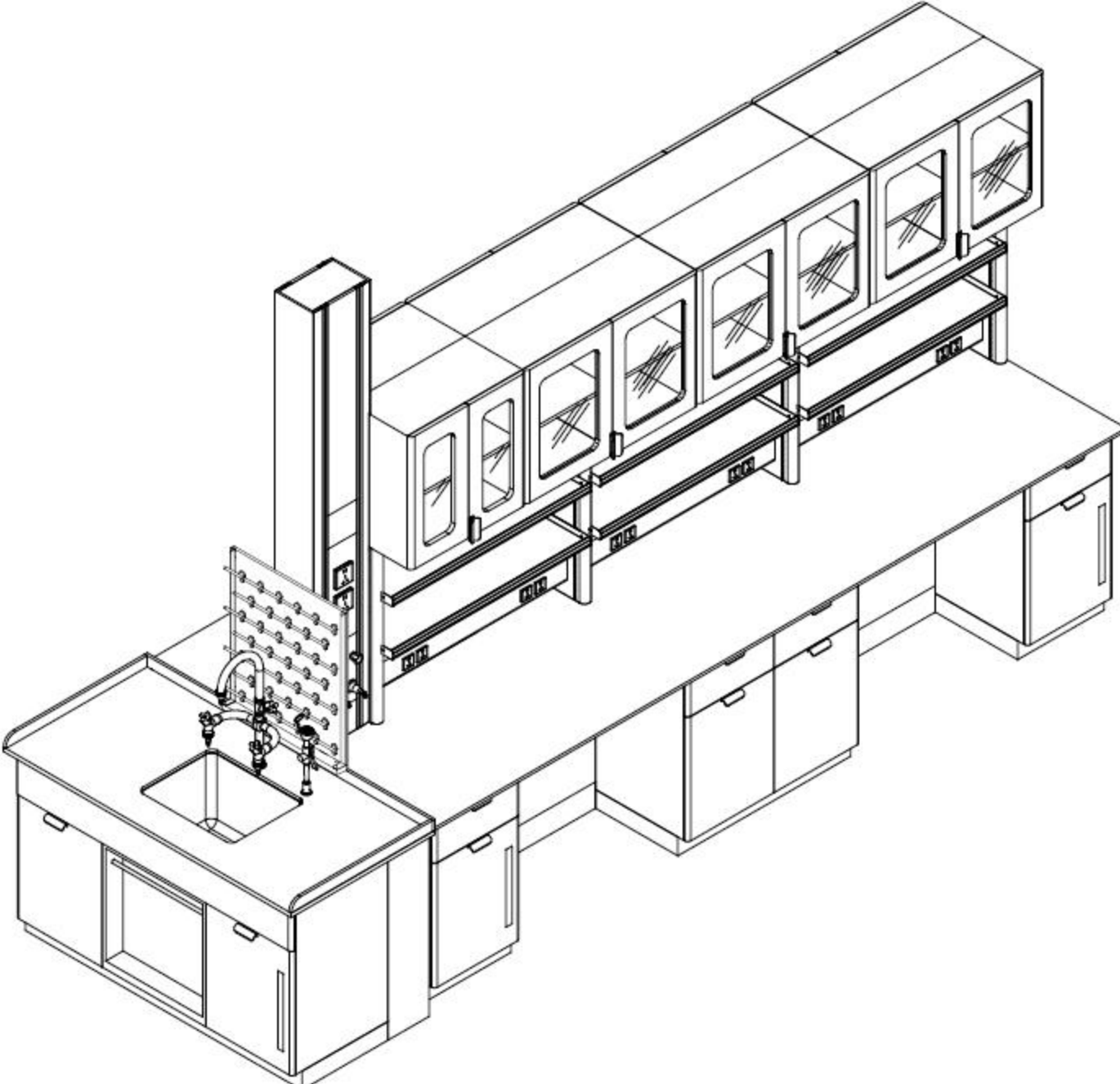
V9 laboratory benches selection 3



V9 laboratory benches selection 4

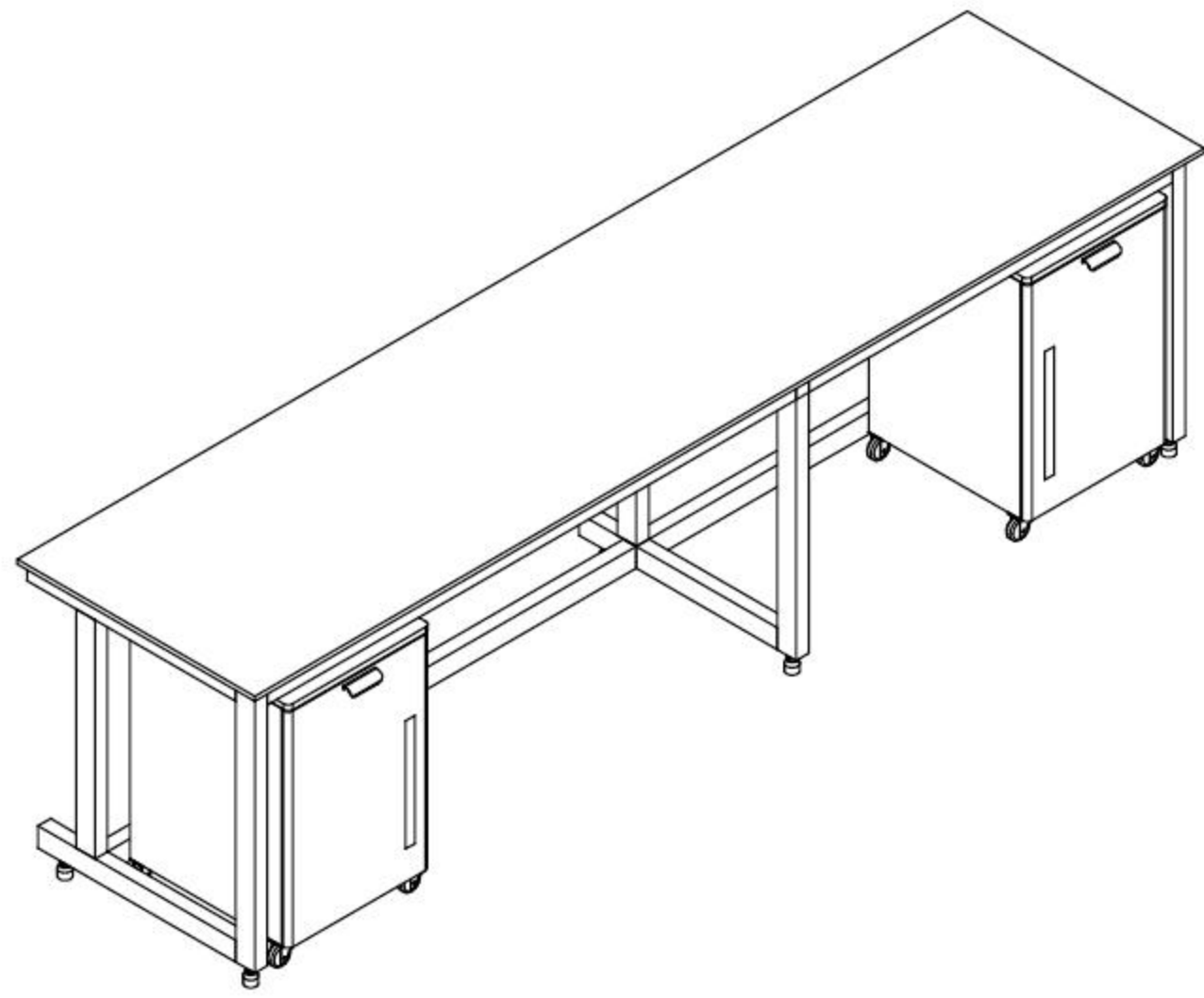


V9 laboratory benches selection 5

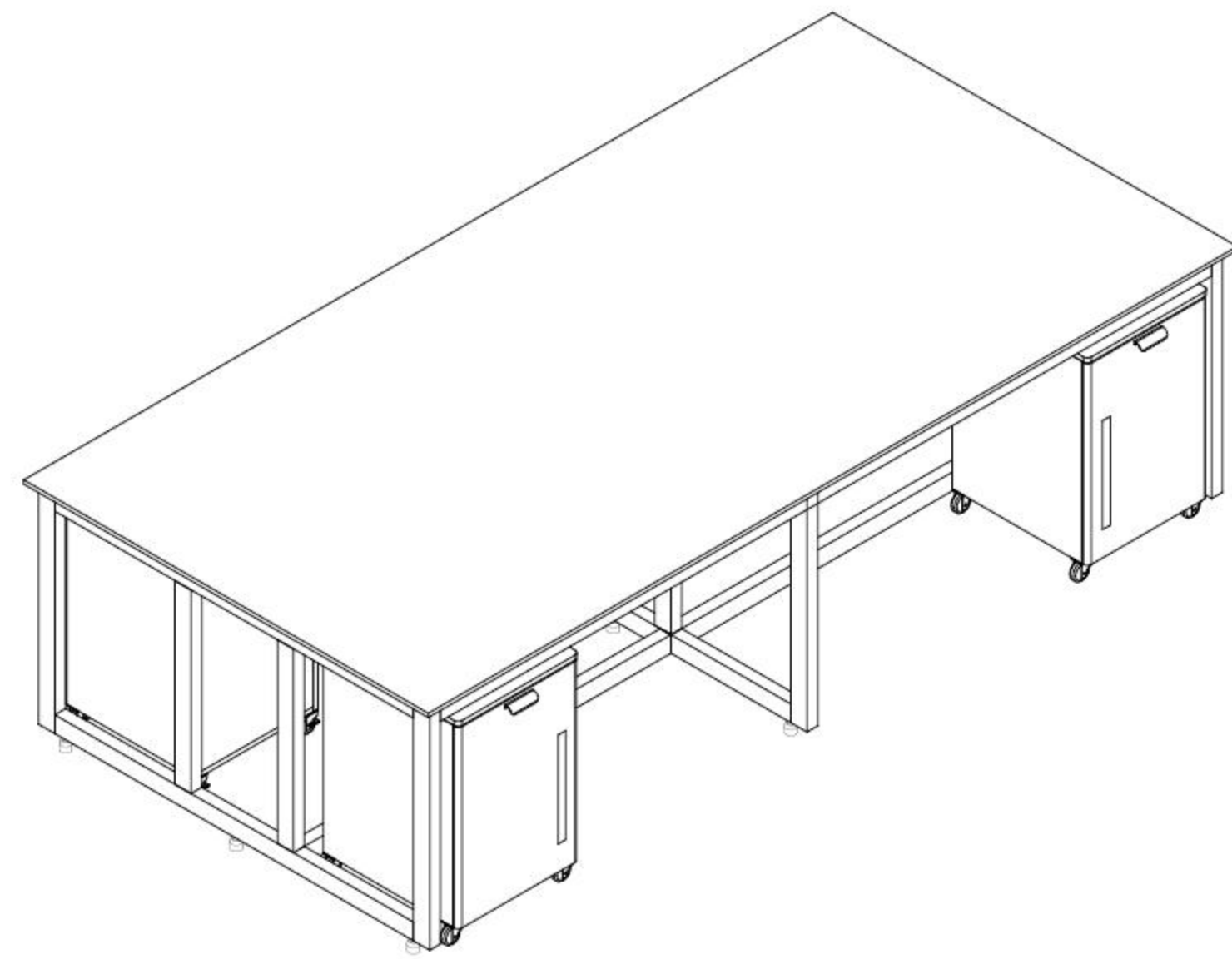


V9 laboratory benches selection 6

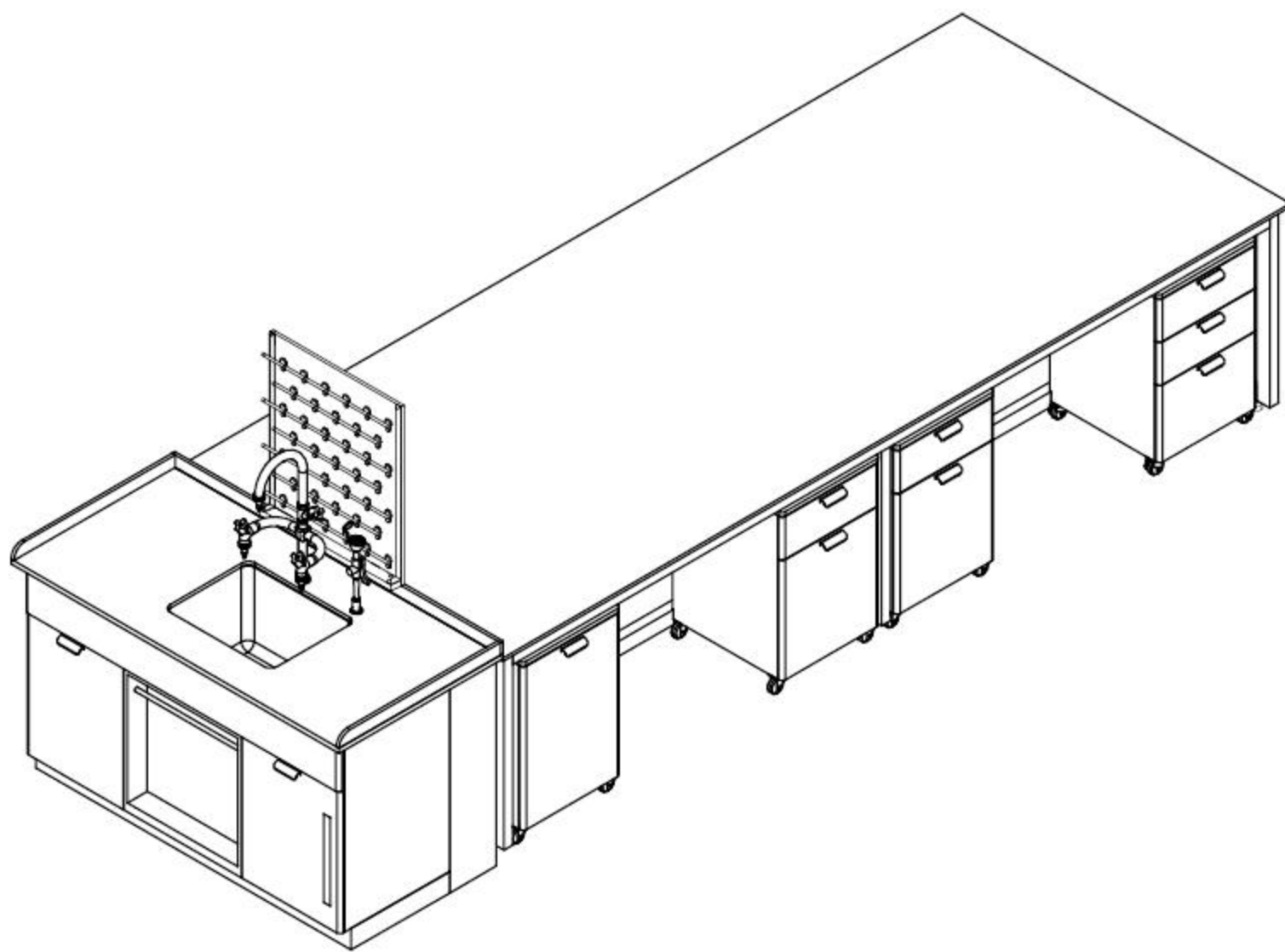
# V9 Laboratory Benches - Frame Selection



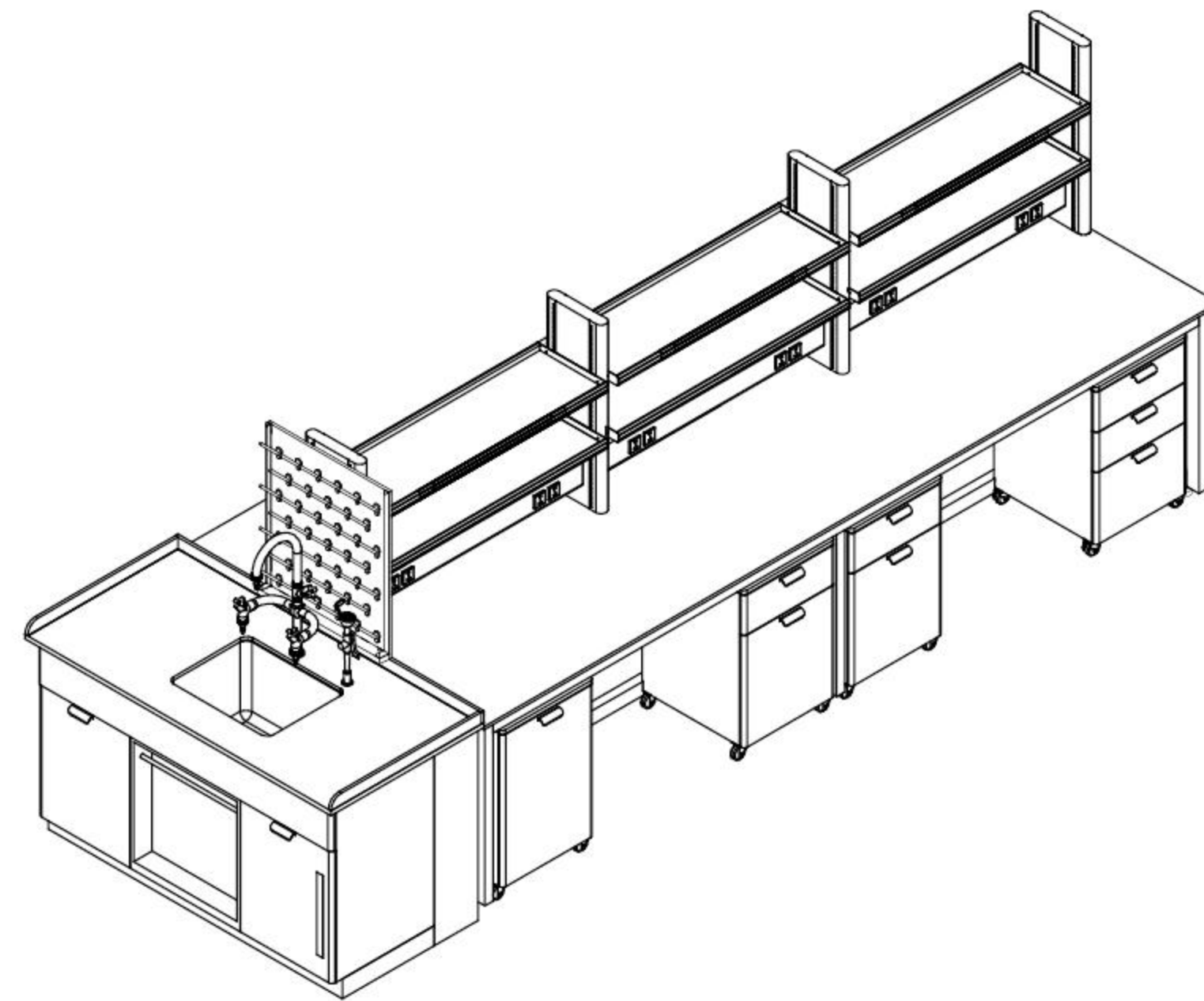
V9 laboratory benches - frame selection 1



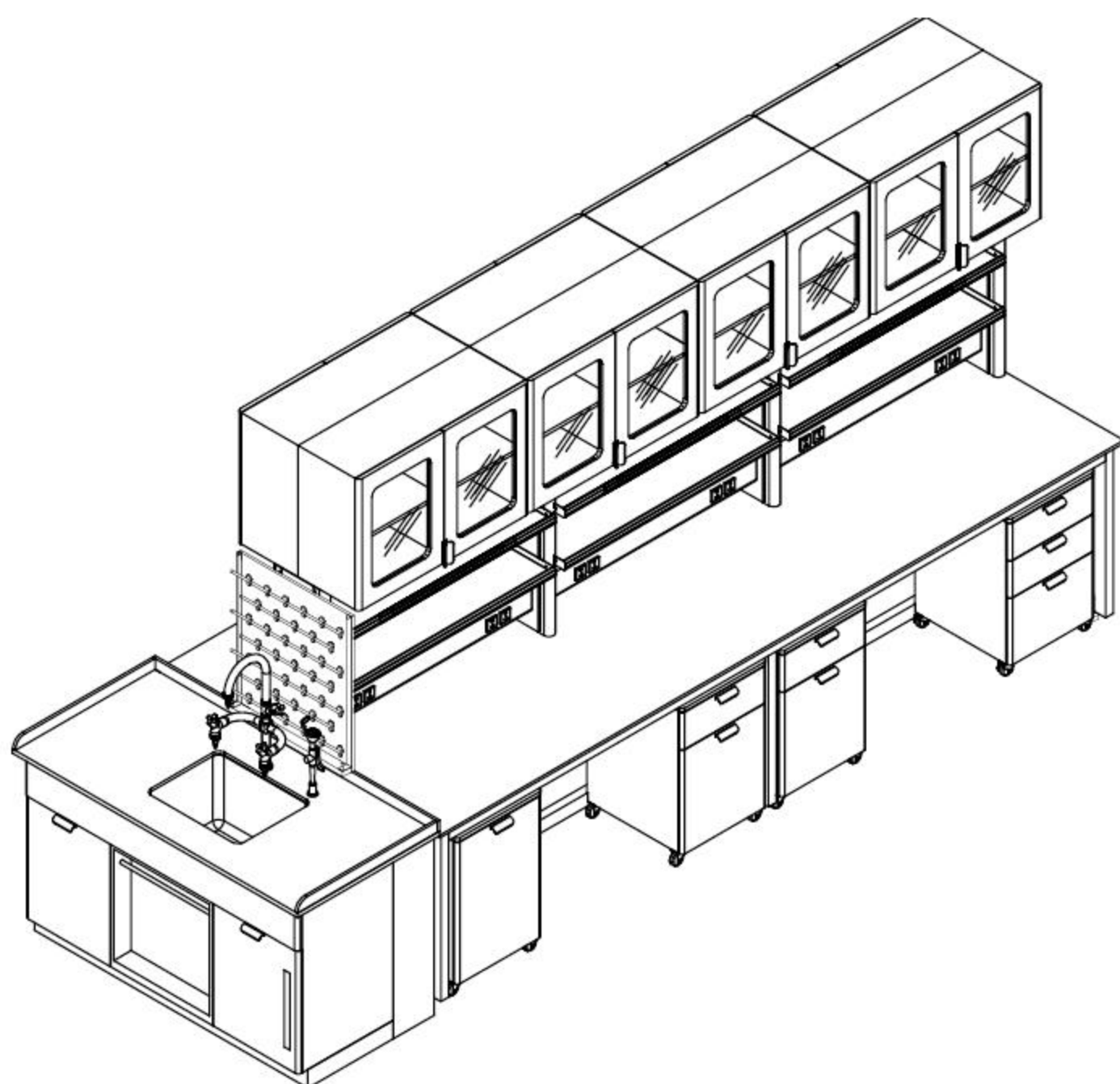
V9 laboratory benches - frame selection 2



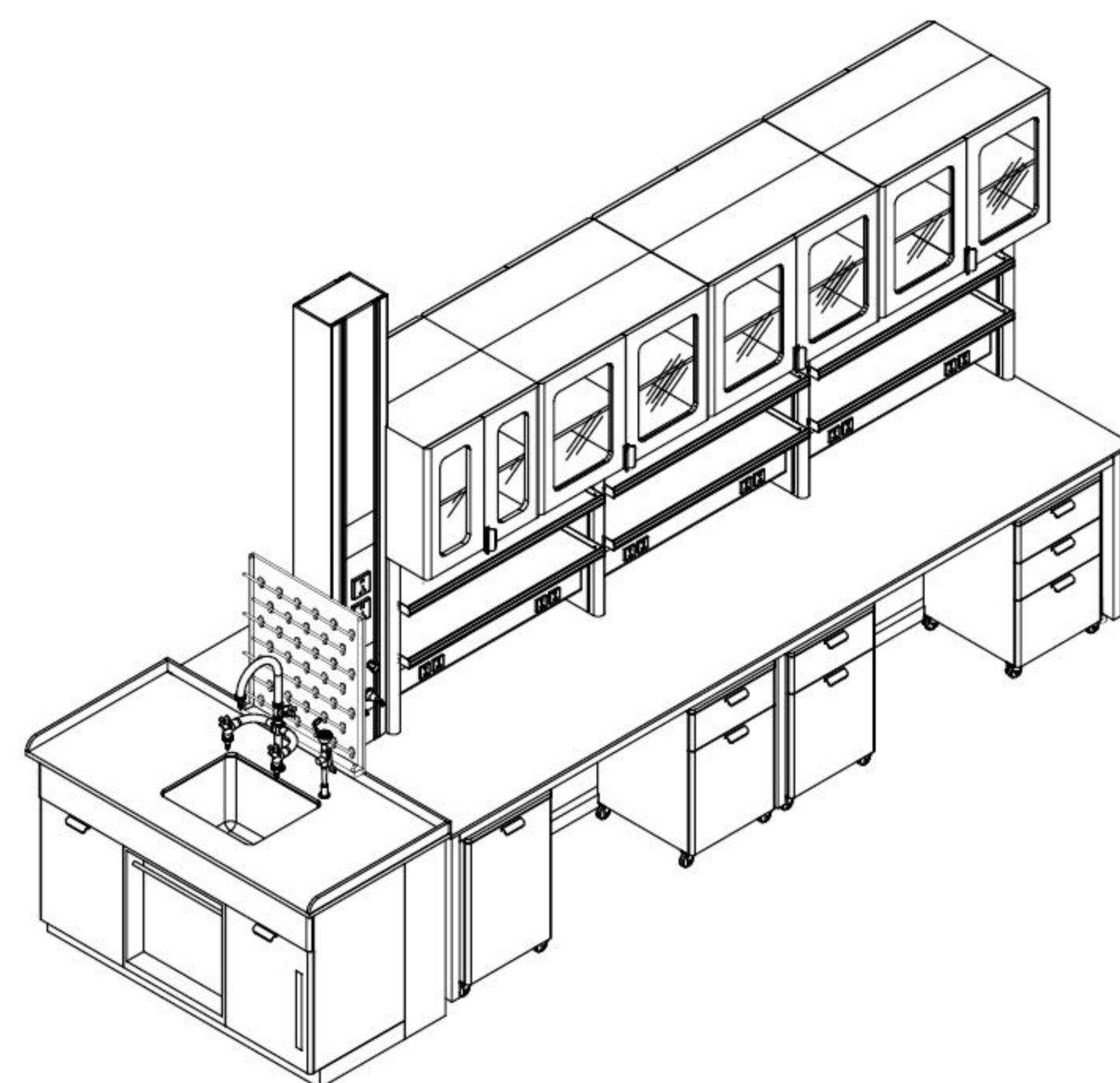
V9 laboratory benches - frame selection 3



V9 laboratory benches - frame selection 4



V9 laboratory benches - frame selection 5



V9 laboratory benches - frame selection 6

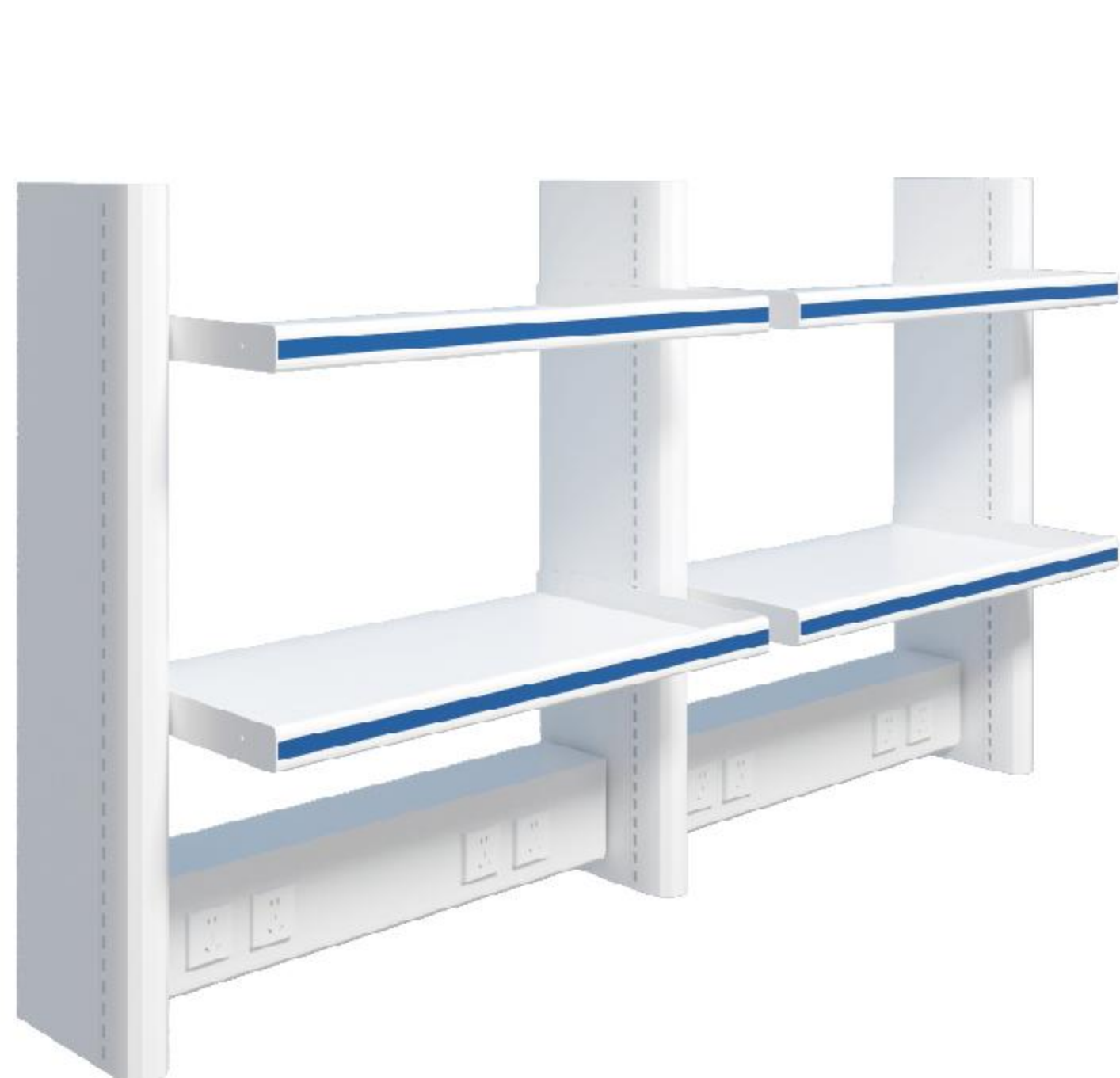
# V9 Reagent Rack

The reagent rack adopts a modular assembly structure to meet the diverse needs of users. It is suitable for placing various reagents, and the height is adjustable.

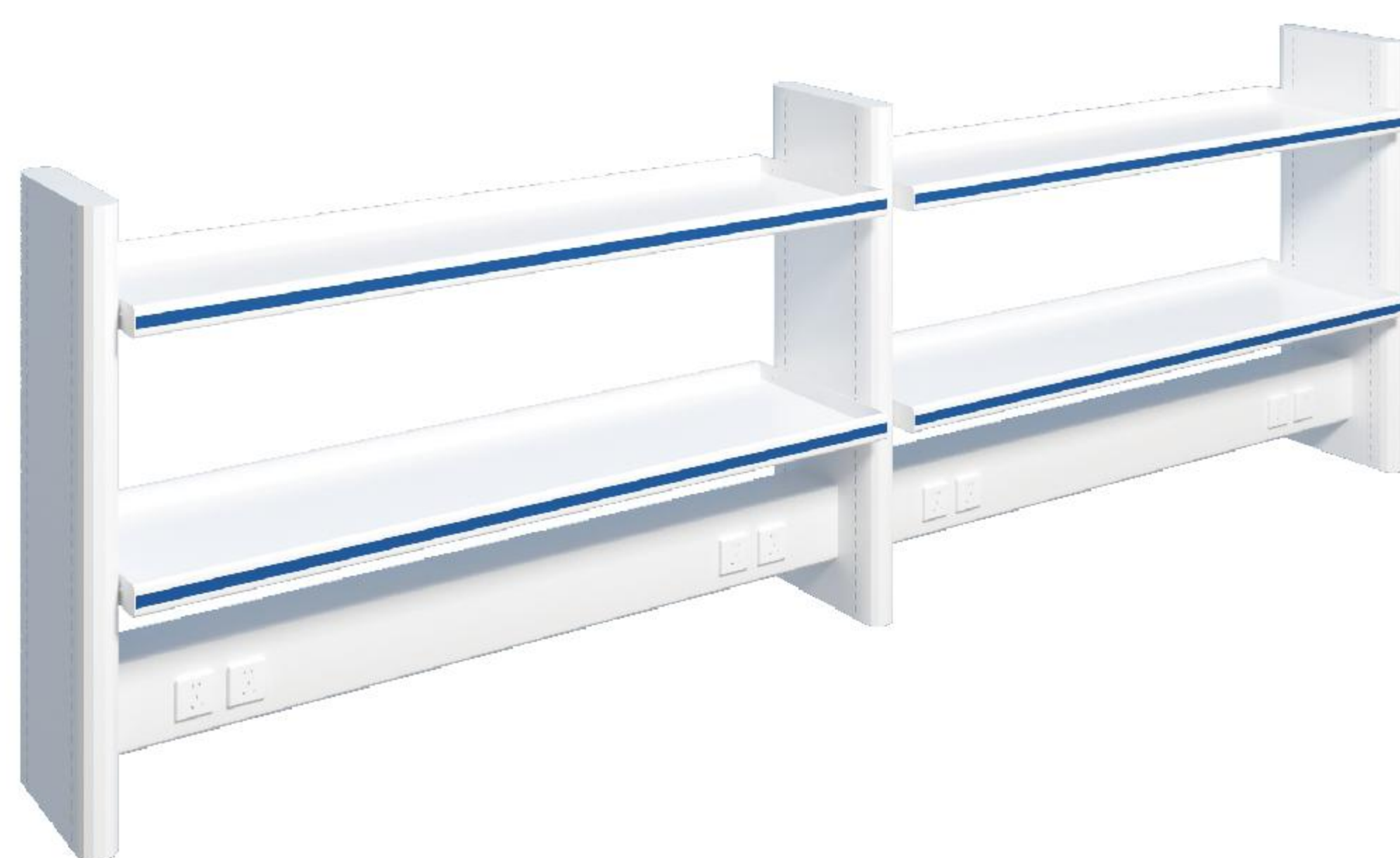
The main structure is modular assembled with aluminum alloy profiles, 1.0mm thickness steel cold-rolled plates sheet meta. The sheet meta is processed with a series of complex processes including shearing, bending, welding, stamping and grinding, pre-degreasing, main degreasing, water washing, ceramicization, water washing, drying, epoxy resin electrostatic powder spraying (coating thickness 0.06 -0.08mm), using paint from AkzoNobel (Netherlands), using a 500m automatic spraying line (Suspension type assembly line), baked at 200 degrees, leveled and solidified, and can withstand salt spray testing for 48 hours.

The support frame can be extended separately to lead the circuit from the upper part of the suspended ceiling to the experimental bench. It can also be used with functional columns to install gas pipelines and valves.

**Certificates: SEFA 10-2020, CEC Ten-ring.**



V9 side bench reagent rack



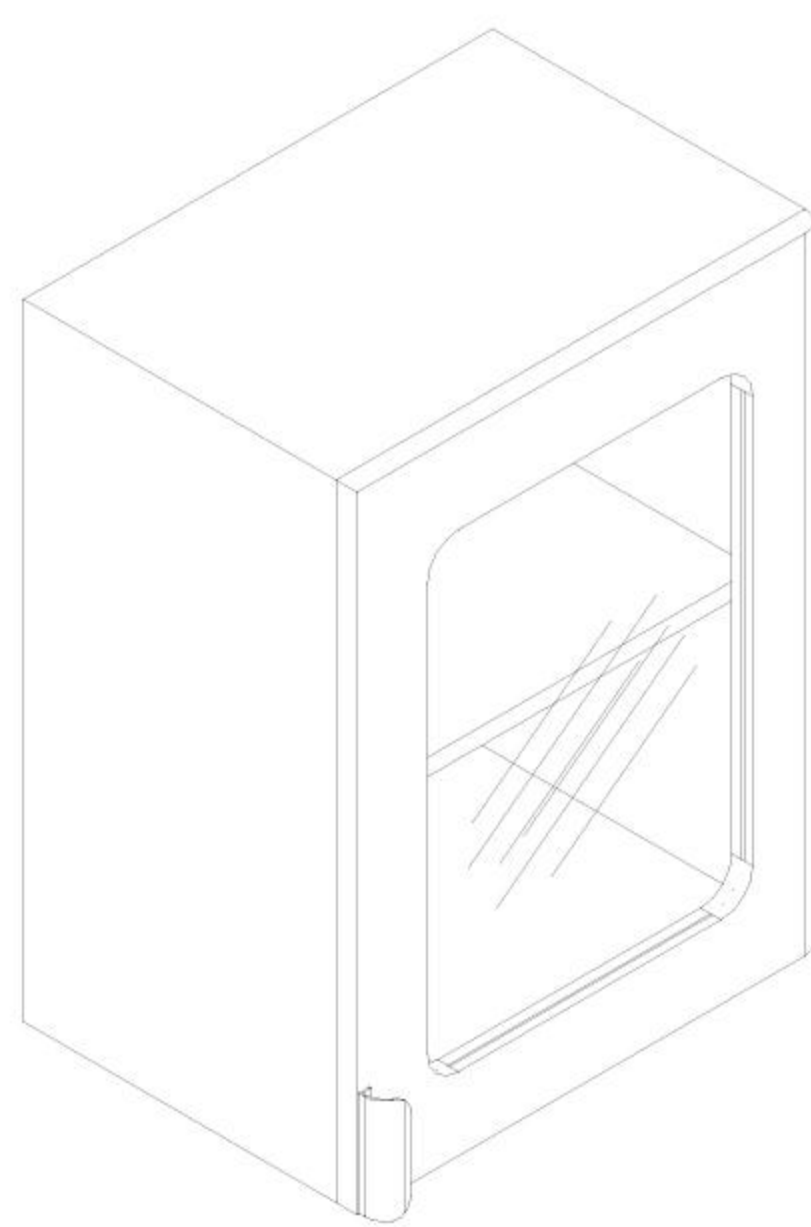
V9 central bench reagent rack

Item	V9 side bench reagent rack	V9 central bench reagent rack
Model	V9-BT-SJJ-300	V9-ZYT-SJJ-400
Dimension (L*W*H)	L*300*750MM	L*400*750MM
Material	Main body material	Epoxy resin electrostatic sprayed 1.0mm steel, Salt spray resistance test 48h
	Fence material	Aluminum profile guardrail plus blue edge strip
	Layer material	10MM thickness glass
	Power Socket	Self-molded

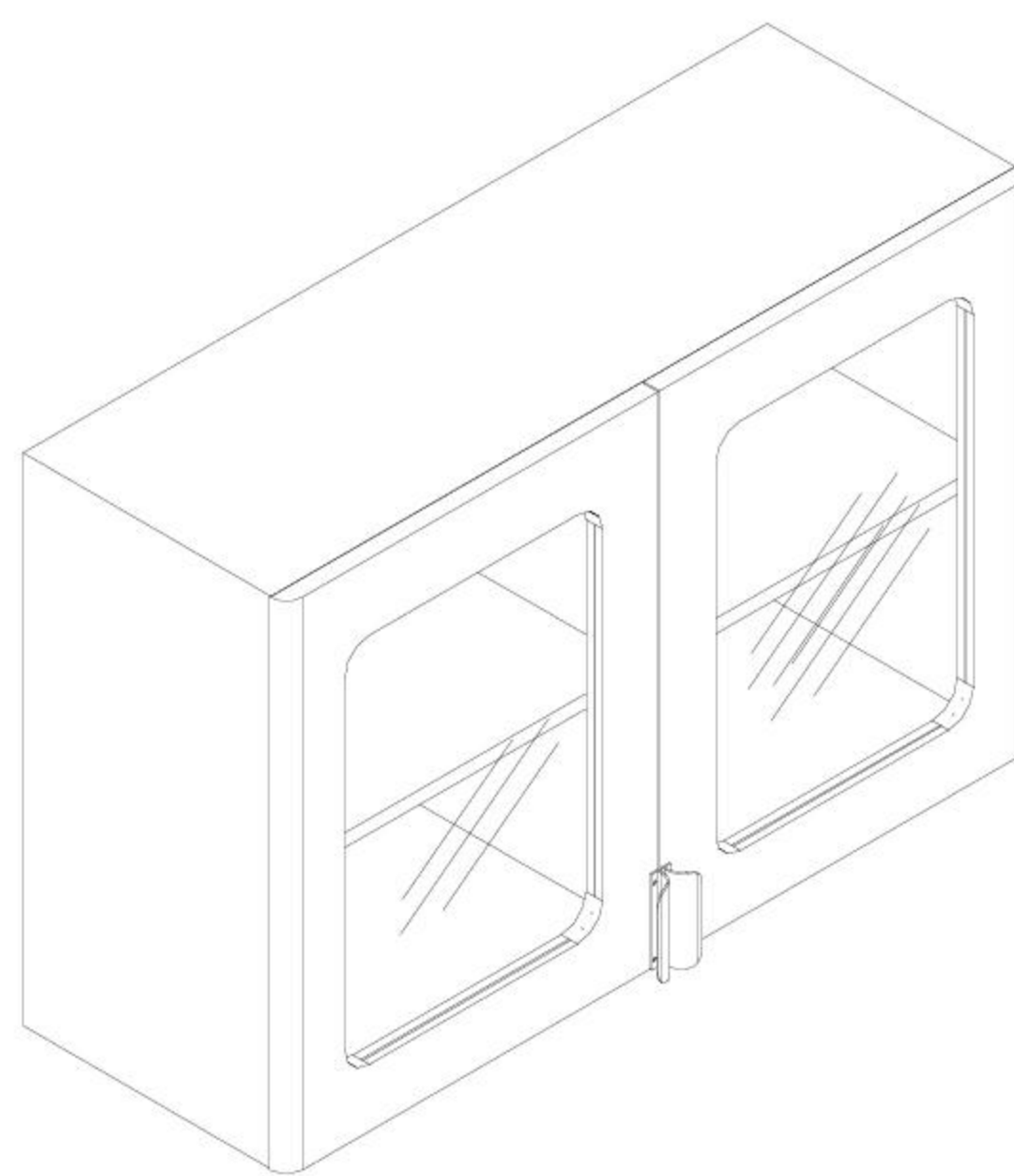
## V9 Wall-mounted Cabinet

Wall-mounted cabinets are mainly used to store documents, and other items. According to different application scenarios, they can be divided into single-door (left and right), double-door, and four-door.

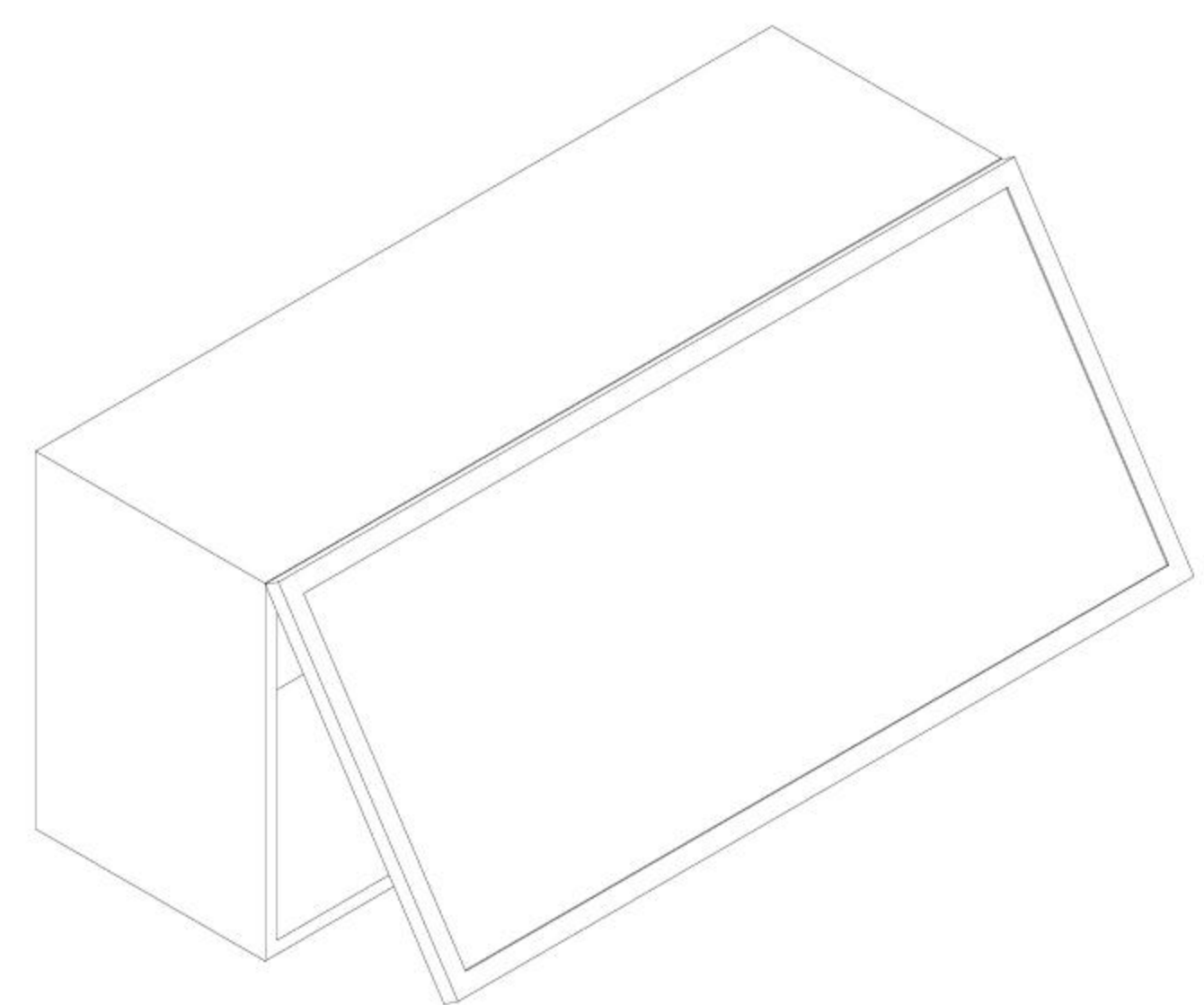
The main structure is modular assembled with aluminum alloy profiles, 1.0mm thickness steel cold-rolled plates sheet meta. The sheet meta is processed with a series of complex processes including shearing, bending, welding, stamping and grinding, pre-degreasing, main degreasing, water washing, ceramicization, water washing, drying, epoxy resin electrostatic powder spraying (coating thickness 0.06 -0.08mm), using paint from AkzoNobel (Netherlands), using a 500m automatic spraying line (Suspension type assembly line), baked at 200 degrees, leveled and solidified, and can withstand salt spray testing for 48 hours.



V9 1 door wall-mounted cabinet single piece drawing



V9 2 door wall-mounted cabinet single piece drawing



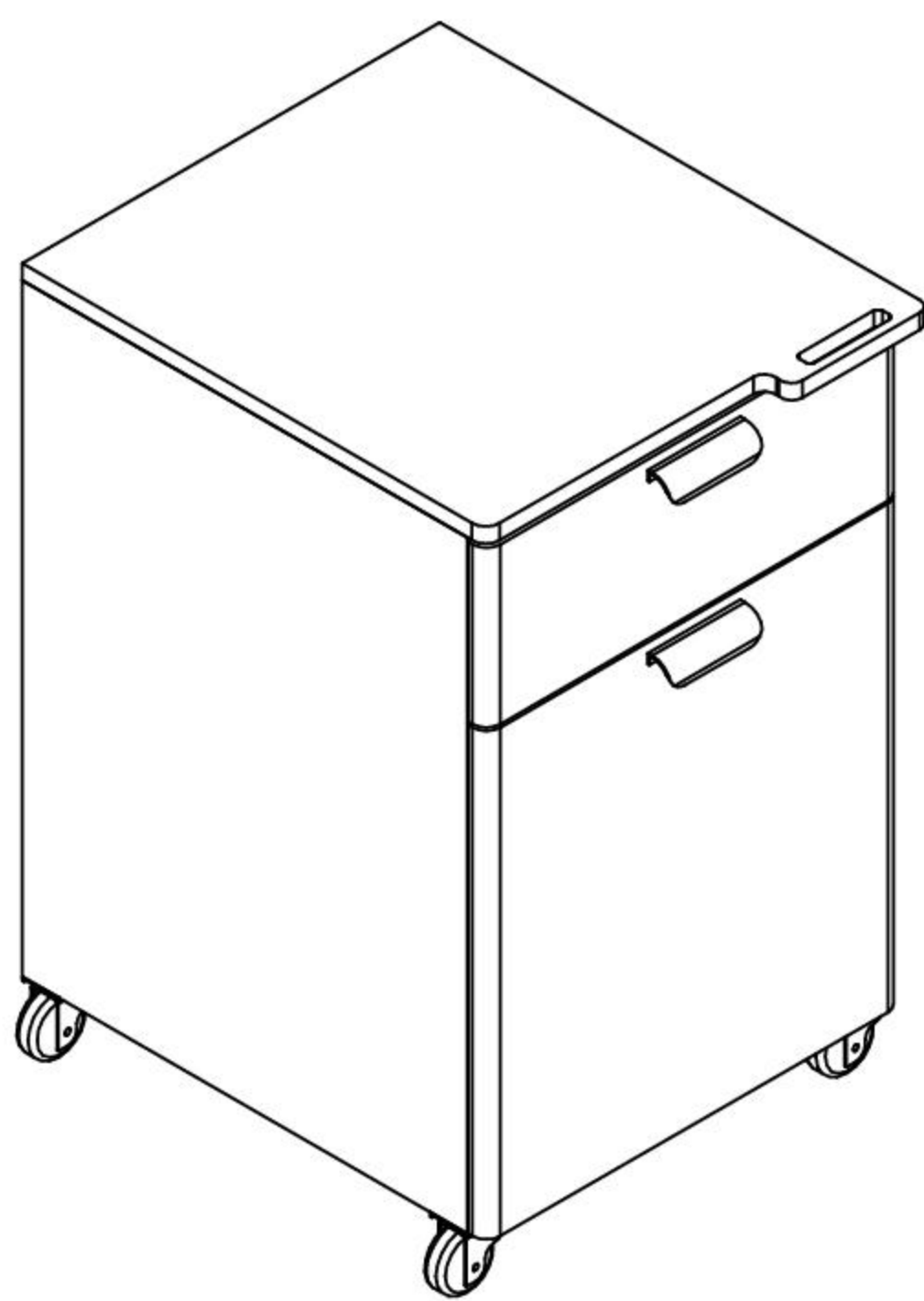
V9 flip door wall-mounted cabinet single piece drawing

Item	V9 single door wall-mounted cabinet	V9 double door wall-mounted cabinet	V9 flip door wall-mounted cabinet
Model	V9-SD-DG-450	V9-DD-DG-900	V9-TD-DG-900
Dimension (L*W*H)	450*300*600mm	900*300*600mm	900*300*400mm
Material	Main body material	Epoxy resin electrostatic sprayed 1.0mm steel, Salt spray resistance test 48h	
	Handle	VOLAB blue arc handle	
	Hinge	DTC buffer hinge	
	Door Panel	Steel solid door/glass door	Steel solid door/glass door

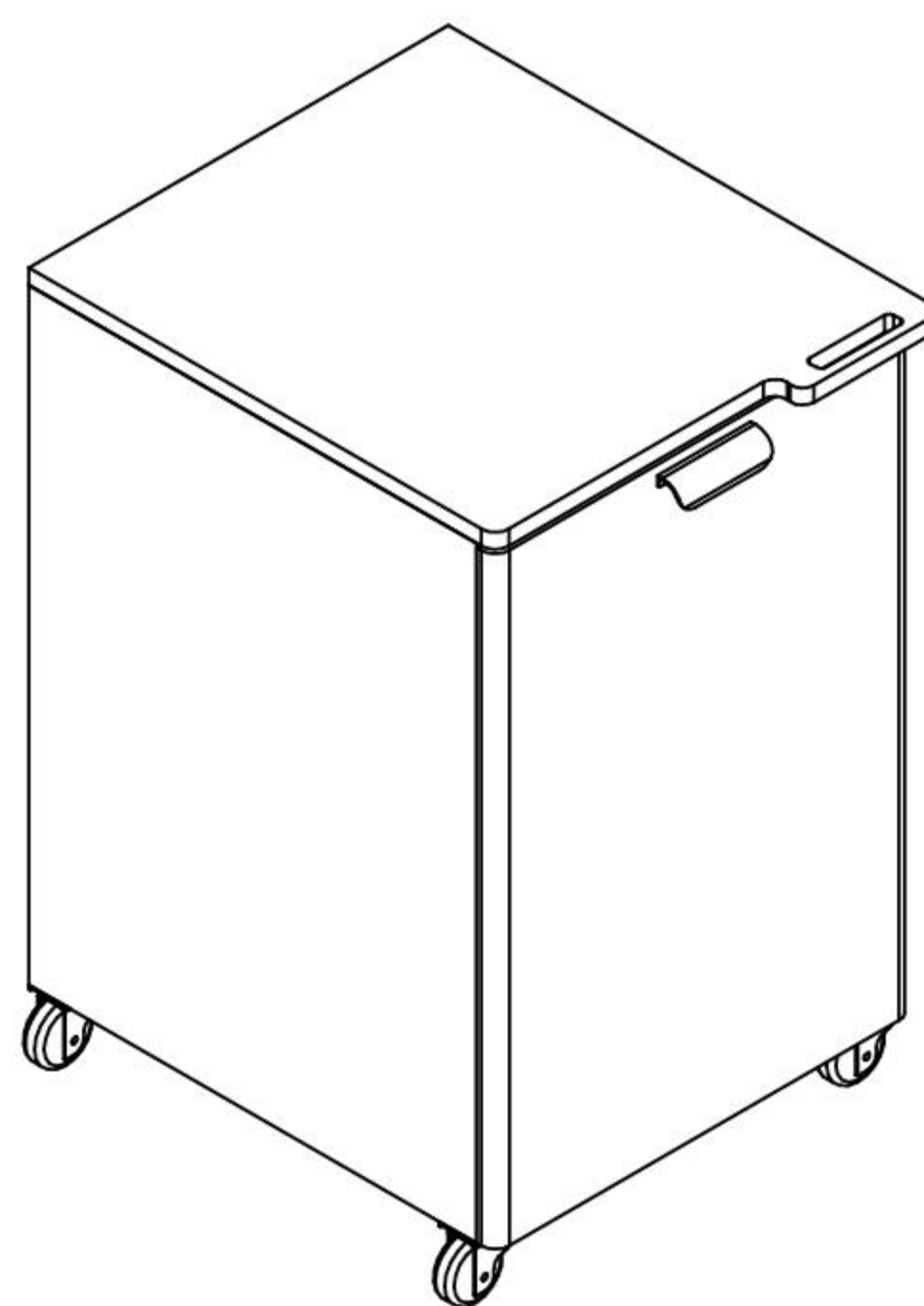
# V9 Mobile Cabinet

The mobile cabinets are mainly used to store documents and other items, which can be flexibly adjusted at any time according to the needs of customer scenarios. It is often used at the bottom of the frame-type central table. According to the function, it can be divided into single-door(left, right), single-door single-drawer (left, right), and three-drawer cabinets.

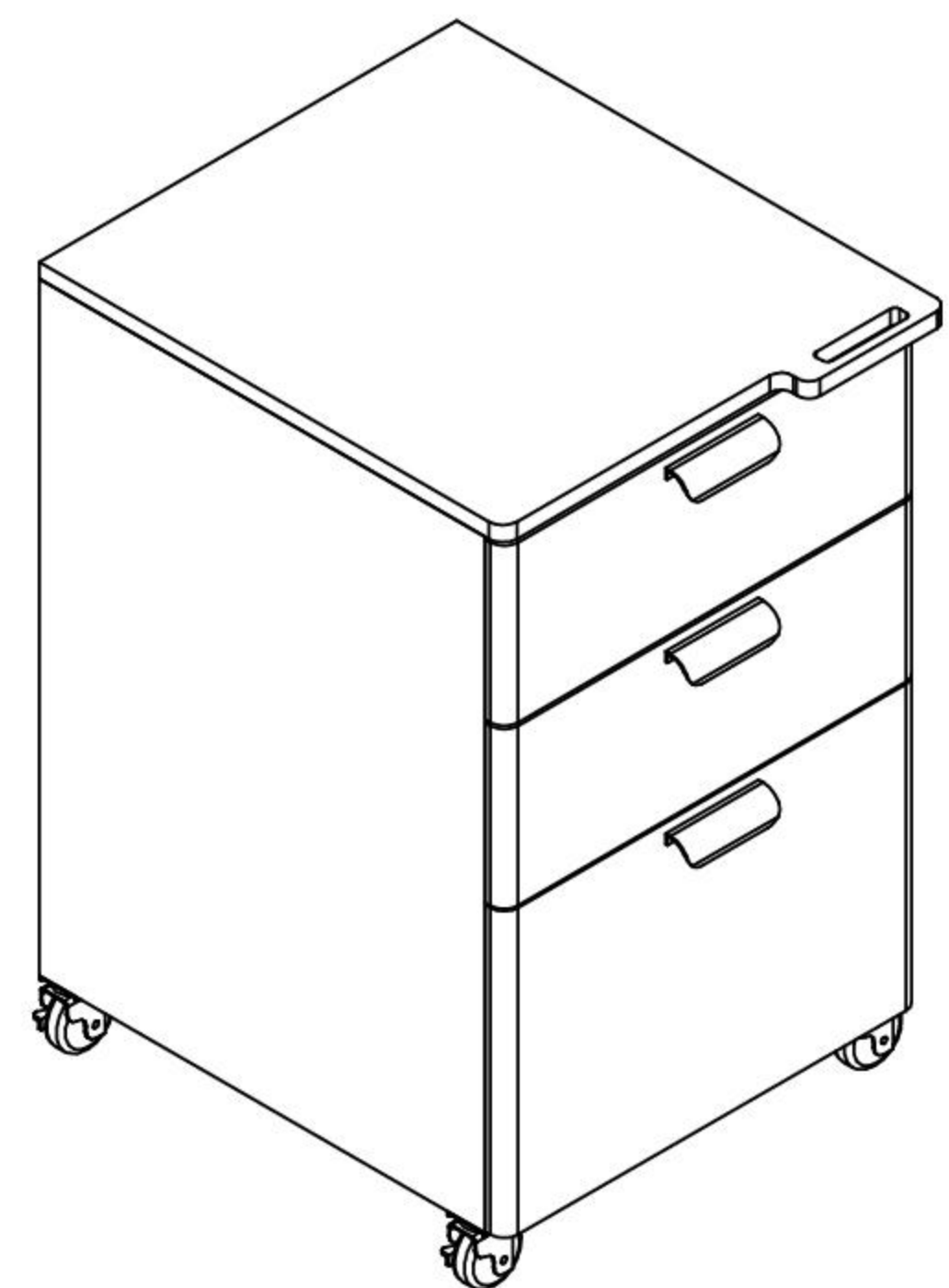
The main structure is modular assembled with aluminum alloy profiles, 1.0mm thickness steel cold-rolled plates sheet meta. The sheet meta is processed with a series of complex processes including shearing, bending, welding, stamping and grinding, pre-degreasing, main degreasing, water washing, ceramicization, water washing, drying, epoxy resin electrostatic powder spraying (coating thickness 0.06 -0.08mm), using paint from AkzoNobel (Netherlands), using a 500m automatic spraying line (Suspension type assembly line), baked at 200 degrees, leveled and solidified, and can withstand salt spray testing for 48 hours.



V9 1 door mobile cabinet single piece drawing



V9 1 door 1 drawer mobile cabinet single piece drawing



V9 3 drawer mobile cabinet single piece drawing

Item	V9 1 door mobile cabinet	V9 1 door 1 drawer mobile cabinet	V9 3 drawer mobile cabinet
Model	V9-HDG-450	V9-SD-HDG-450	V9-TD-HDG-450
Dimension (L*W*H)	450*500*660mm(excluding the wheel high 75mm)		
Material	Main body material	Epoxy resin electrostatic sprayed 1.0mm steel, Salt spray resistance test 48h	
	Cabinet door structure	Double-layer sound insulation, cover door (with anti-collision bevel + arc)	
	Handle	VOLAB blue arc handle	
	Hinge	DTC buffer hinge	DTC buffer hinge
Slide rail	None	DTC high-quality silent three-section slide rail	



## Introduction

The V7 series pursue a simple style in appearance, adopt internationally leading automation technology for processing (imported bending line + automatic spraying line), providing infrastructure guarantee for the safety construction of Chinese laboratories with safe, practical and user-friendly characteristics.

Certified by ASHRAE110-2016、GB 24820-2009 、EN13150-2020、EN14727-2005、SEFA 8M-2016、SEFA 10-2020、SEFA 11-2020、CEC Ten-ring.

Including: Fume hood, Cabinet(reagent cabinet, utensil cabinets, gas cylinder cabinets, wardrobe, hazardous chemical safety cabinets, shelves), Laboratory benches (side benches, central benches, sink cabinets, corner cabinets, reagent racks, wall-mounted cabinets, mobile cabinets) and Instrument tables, stable benches, etc..

# V7 Fume Hood

---

## Application

Some harmful gases are easily produced during some experiments, which will endanger the safety of scientific research and experimental personnel and cause environmental pollution. Fume hoods are a type of local ventilation equipment designed to handle with harmful or toxic smoke, steam or dust to ensure Experimenter safety.

## Types

According to function, it can be divided into: bench-mounted fume hood, desktop fume hood, and step-in fume hood.

## Introduction

Bench-mounted fume hood can ensure safety in low wind conditions with the face velocity at 0.5m/s and perfect anti-interference ability.

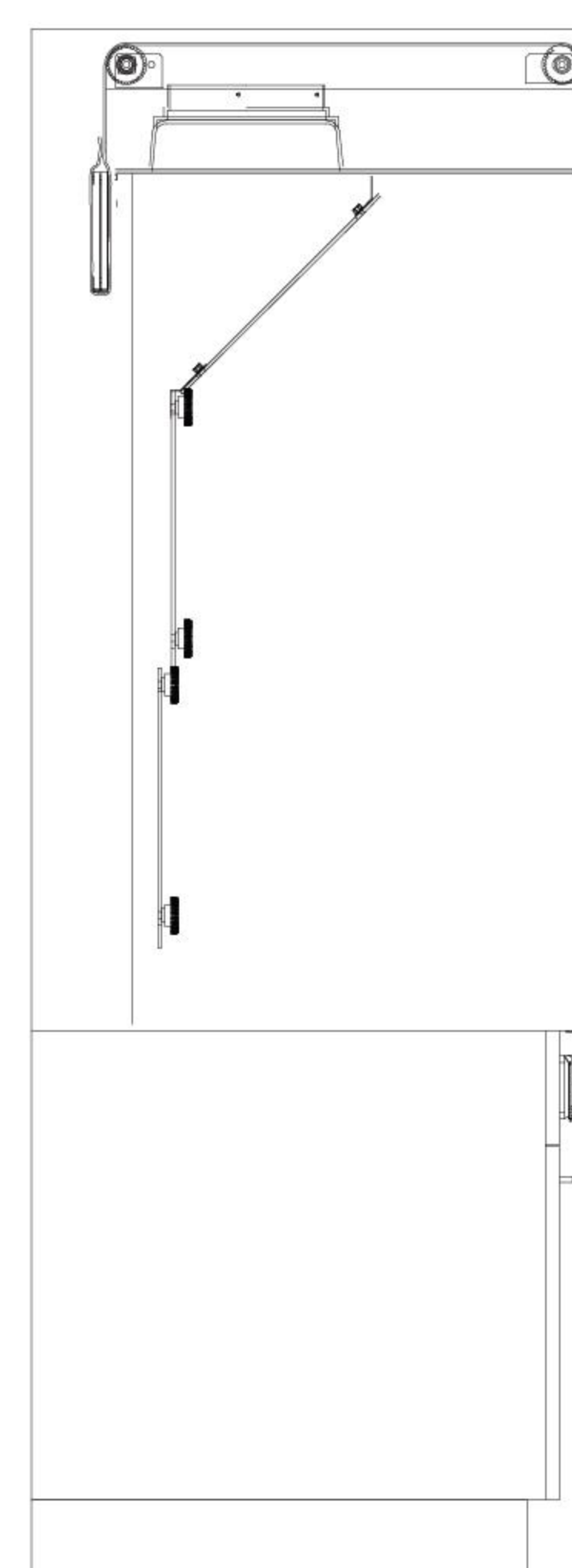
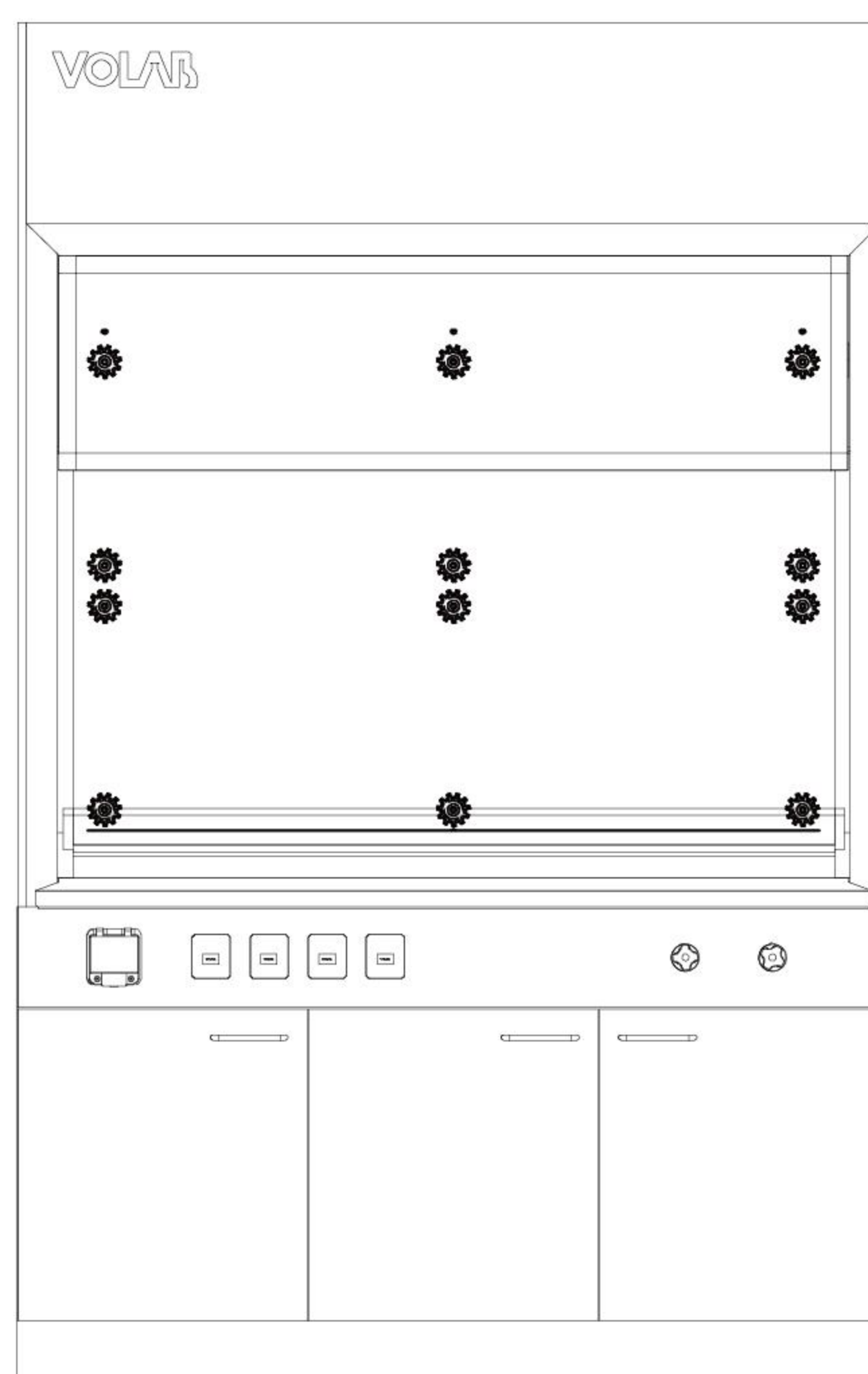
- 1、 Overall structure: (1.2-1.5) cold-rolled steel plate sheet metal modular assembly;
- 2、 Face velocity 0.5m/s, tracer gas leakage rate 0PPM;
- 3、 Hardware accessories: Häfele high-quality hinges, opening degree 270°
- 4、 Timing belt: imported from Italy, thickness 3.7mm, width 10mm;
- 5、 The mobile visualization window has an anti-fall function to ensure the safety;
- 6、 Functional accessories: guide plate fixings (material: nylon), lining plate (material: compact laminate), electrical socket (self molded);
- 7、 Structural accessories: window profiles and connectors, air supplement wings (material: industrial level aluminum alloy);

The electrical system is equipped with 1 set of 25A leakage circuit breaker, 2 pieces 16A three-hole dustproof sockets, and 2 pieces 10A three-hole dustproof sockets.

**Certificates: ASHRAE110-2016、 GB 24820-2009.**



## V7 Bench-mounted Fume Hood



Main view

Lateral view

Item	V7 bench-mounted fume hood		
Model	V7-FG-1200	V7-FG-1500	V7-FG-1800
Dimension (L*W*H)	1200*850*2350mm	1500*850*2350mm	1800*850*2350mm
Work top W	1060mm	1360mm	1660mm
Internal D		680mm	
Internal H		1270mm	
Work H		850mm	
Gas collecting hood diameter	250mm	250mm	315mm
Optional	VAV, CAV, water cup, water valve, air valve, synthetic rack		
Material	Cabinet body structure	Upper cabinet disassembly and assembly structure	
	Socket	Waterproof socket 10A*2, 16A*2, air switch	
	Visualization window	Explosion-proof tempered glass	
	Lining board	5mm compact laminate/ceramic fiber board	
	Work top	Physio-chemical board/ceramic board/epoxy resin board	
	Lower cabinet	3 doors / 4 doors cabinet	



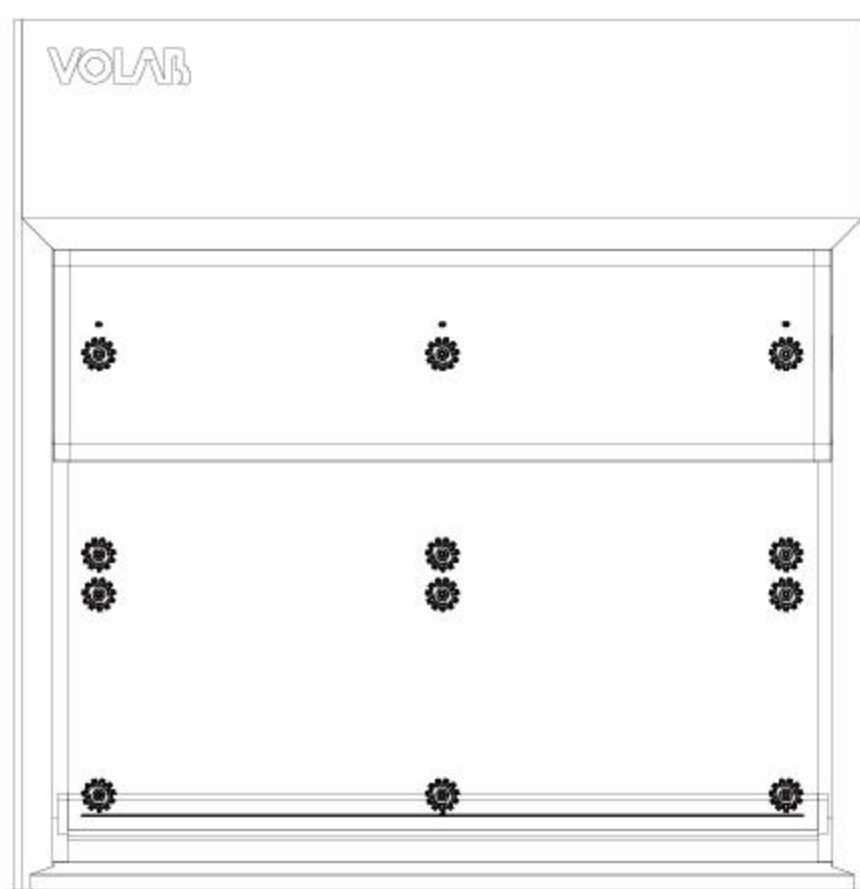
# V7 Desktop Fume Hood



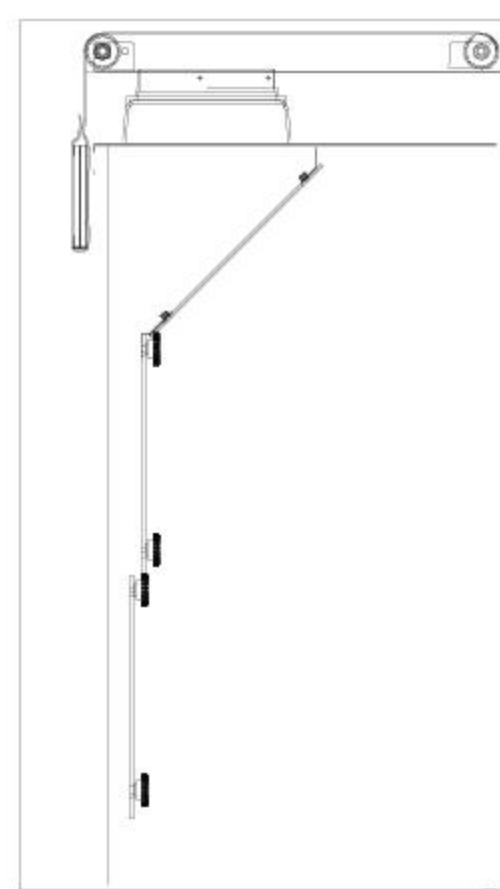
V7 single side desktop fume hood



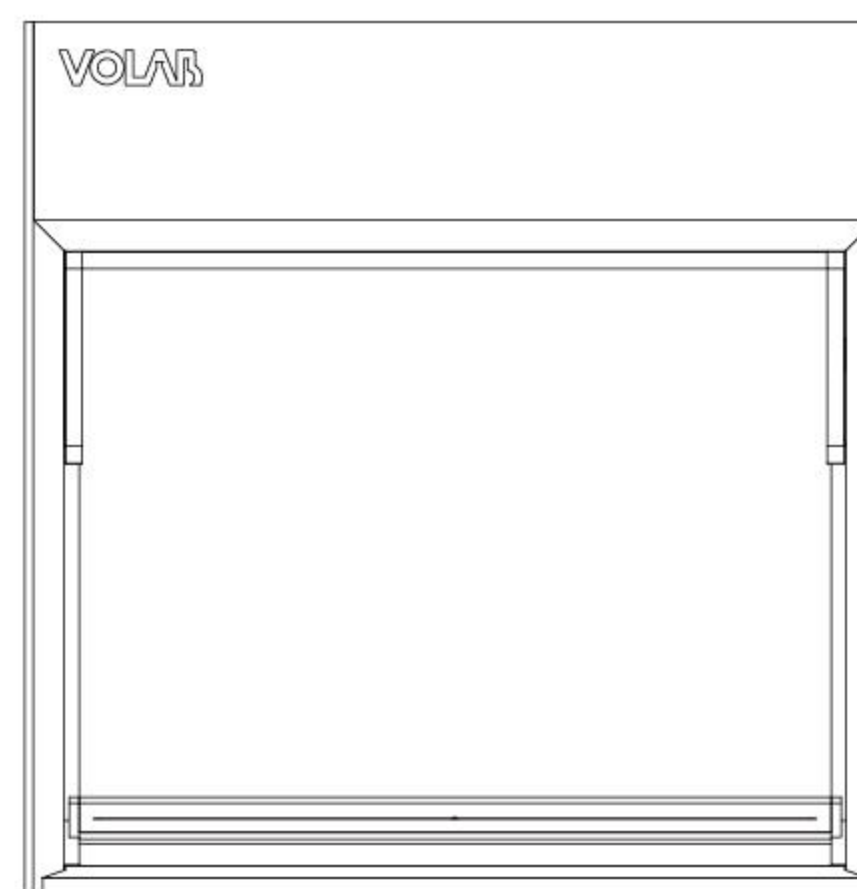
V7 double side desktop fume hood



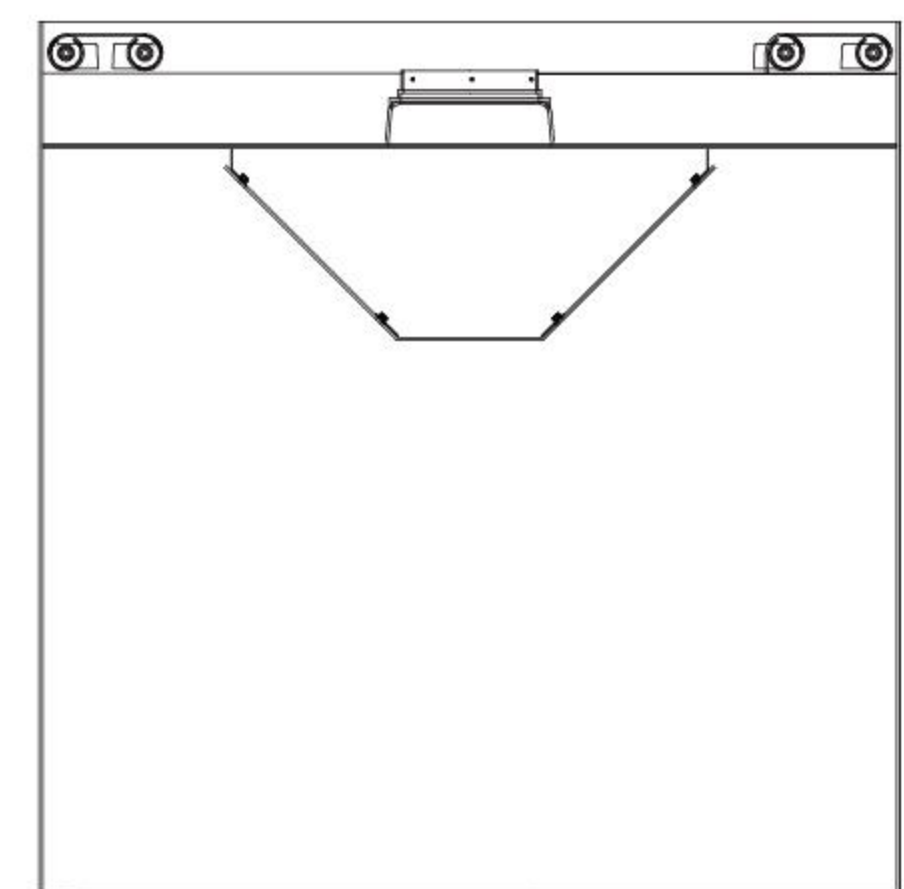
Main view



Lateral view



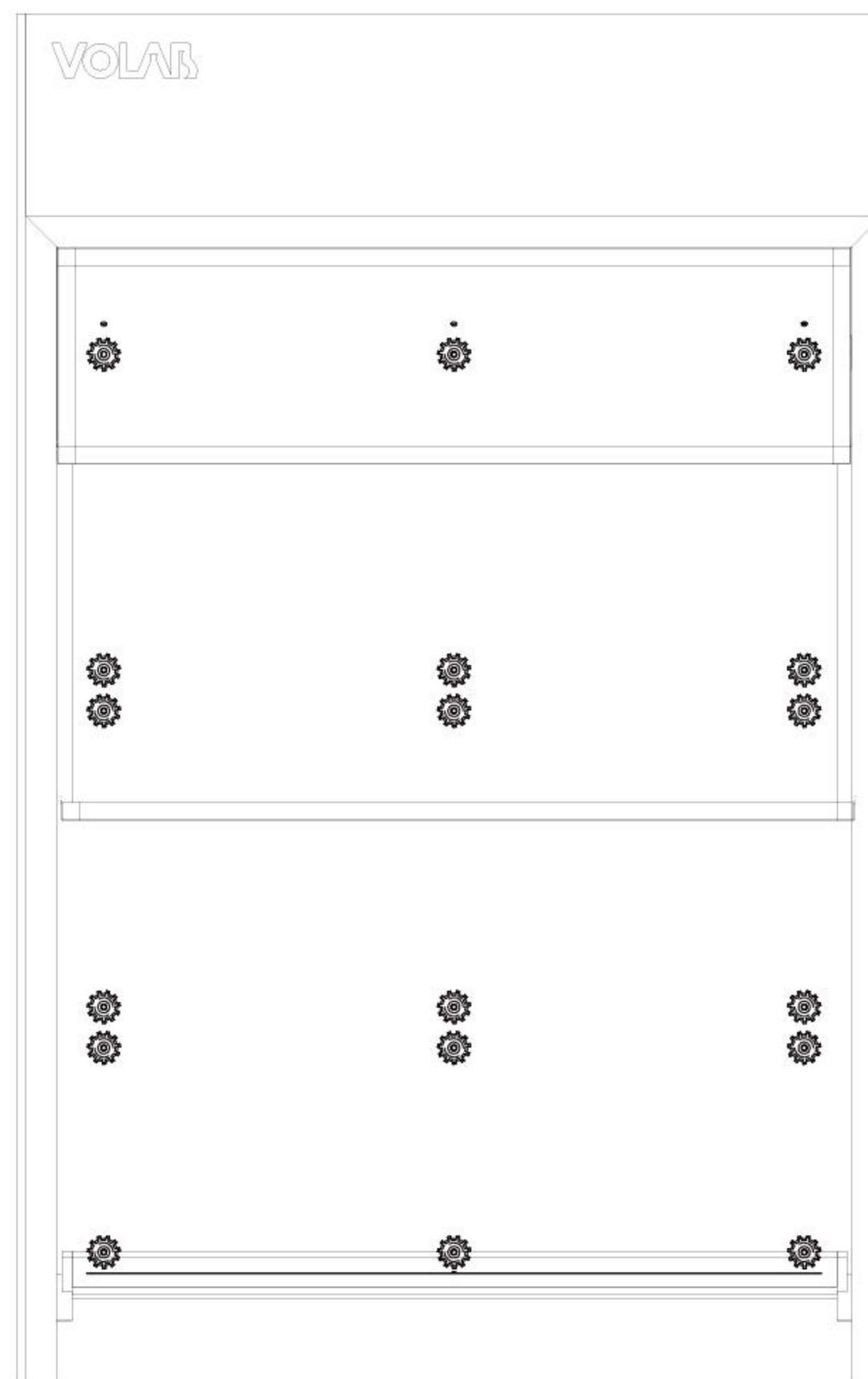
Main view



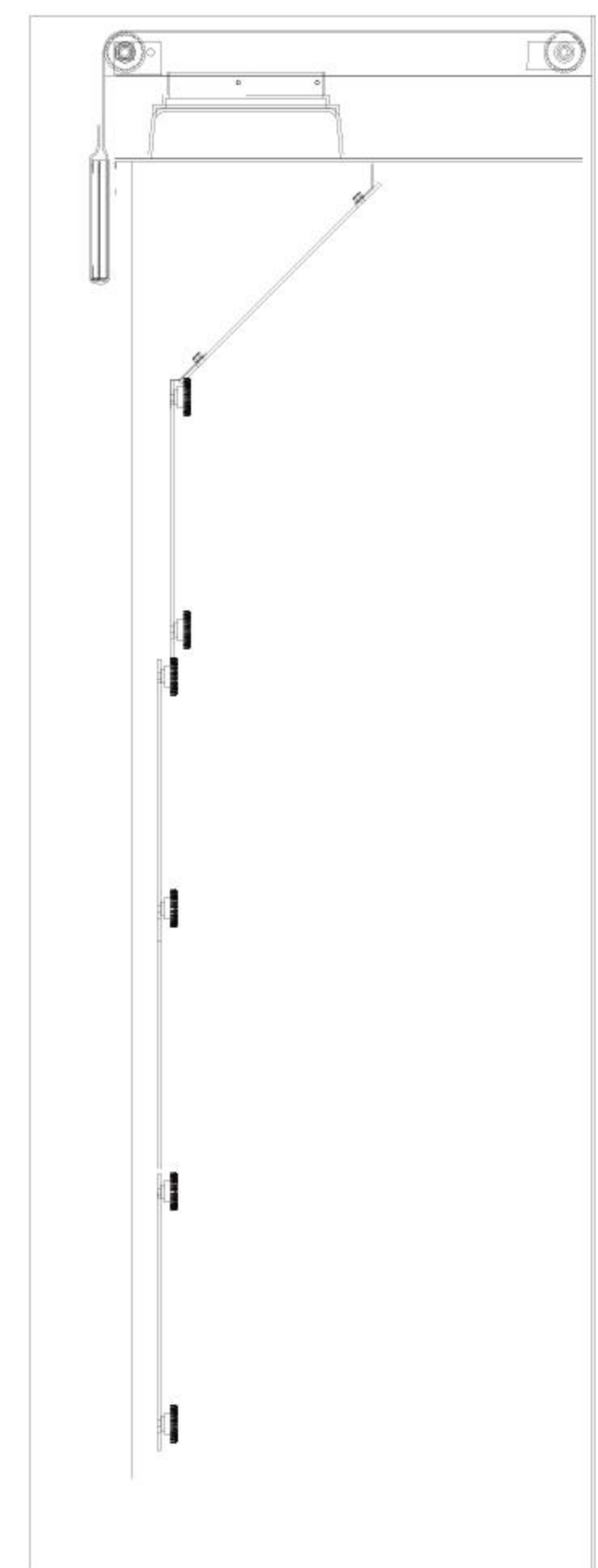
Lateral view

Item	V7 single side desktop fume hood	V7 double side desktop fume hood
Model	V7-FGDZ-1500	V7-FGBZ-1500
Dimension (L*W*H)	1500*850*1500mm	1500*1500*1500mm
Work Top W	1360mm	1660mm
Internal D	680mm	680mm
Internal H	1270mm	
Work H	850mm	
Gas Collecting Hood Diameter	250mm	315mm
Optional	VAV, CAV, water cup, water valve, air valve, synthetic rack	
Material	Visualization window	Explosion-proof tempered glass
	Lining board	5mm compact laminate/ceramic fiber board

## V7 Step-in Fume Hood



Main view



Lateral view

Item	V7 Step-in fume hood	
Model	V7-FGLD-1500	V7-FGLD-1800
Dimension (L*W*H)	1500*850*2350mm	1800*850*2350mm
Work top W	1360mm	1660mm
Internal D	680mm	
Internal H	1270mm	
Work H	850mm	
Gas collecting hood diameter	250mm	315mm
Optional	VAV, CAV, water cup, water valve, air valve, synthetic rack	
Material	Socket	Waterproof socket 10a*2, 16a*2, air switch
	Visualization window	Explosion-proof tempered glass
	Lining board	5mm compact laminate/ceramic fiber board

## V7 Cabinet (Reagent Cabinet/Exhaust Reagent Cabinet/Utensil Cabinet)

Reagent cabinets are used to store pharmaceutical reagents in laboratories.

Reagents and chemicals used in laboratories often have certain hazards, such as corrosiveness, toxicity, flammability, etc. The reagent cabinet provides a dedicated storage area where these hazardous materials can be safely stored to avoid accidents.

The utensil cabinet is a functional experimental cabinet, suitable for storing various acid and alkali drugs in the laboratory, such as sulfuric acid, hydrochloric acid, nitric acid and laboratory instruments after cleaning. Optional double locks facilitate safe storage and management of laboratory drugs.

The main structure is modular assembled with aluminum alloy profiles, 1.0mm thickness steel cold-rolled plates sheet meta. The sheet meta is processed with a series of complex processes including shearing, bending, welding, stamping and grinding, pre-degreasing, main degreasing, water washing, ceramicization, water washing, drying, epoxy resin electrostatic powder spraying (coating thickness 0.06 -0.08mm), using paint from AkzoNobel (Netherlands), using a 500m automatic spraying line (Suspension type assembly line), baked at 200 degrees, leveled and solidified, and can withstand salt spray testing for 48 hours.

**Certificates: EN14727-2005、SEFA11-2020、GB 24820-2009.**



V7 reagent cabinet



V7 exhaust reagent cabinet



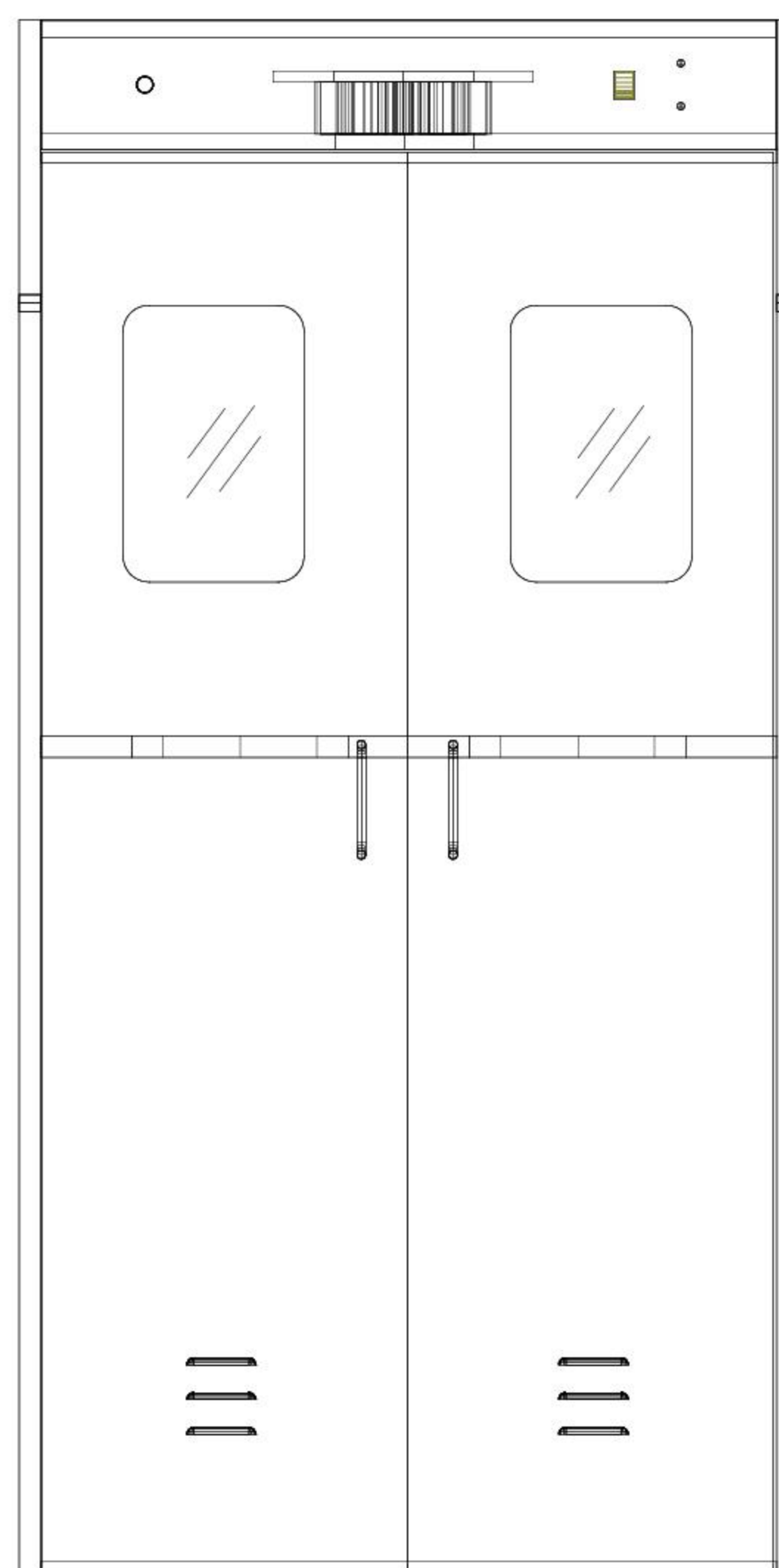
V7 utensil cabinet

Item	V7 reagent cabinet	V7 exhaust reagent cabinet	V7 utensil cabinet
Model	V7-SJG-900	V7-PF-SJG-900	V7-QMG-900
Dimension (L*W*H)	900*450*1800mm		
Material	Cabinet body	Epoxy resin electrostatic sprayed 1.0mm steel, Salt spray resistance test 48h	
	Structure	Disassembly and assembly structure	
	Handle	PVC hidden buckle handle/128 stainless steel handle	
	Hinge	Axle	
Exhaust outlet diameter	None	110MM	None

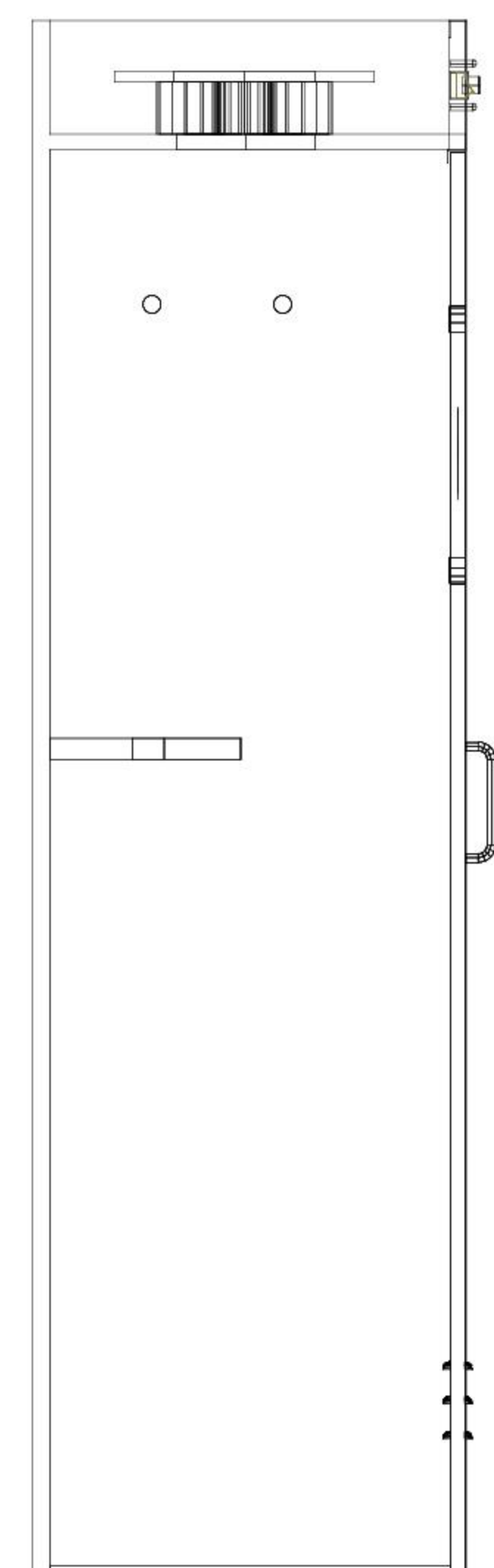
## V7 Cabinet (Gas Cylinder Cabinet)

A gas cylinder cabinet is a metal container to prevent fire, used to improve exhaust ventilation, protect cylinders (gas bottles) and surroundings from fire. There are purging systems, alarms and exhaust holes inside the cabinets. The products are divided into single-cylinder and double-cylinder cabinets.

The main structure is modular assembled with aluminum alloy profiles, 1.0mm thickness steel cold-rolled plates sheet meta. The sheet meta is processed with a series of complex processes including shearing, bending, welding, stamping and grinding, pre-degreasing, main degreasing, water washing, ceramicization, water washing, drying, epoxy resin electrostatic powder spraying (coating thickness 0.06 -0.08mm), using paint from AkzoNobel (Netherlands), using a 500m automatic spraying line (Suspension type assembly line), baked at 200 degrees, leveled and solidified, and can withstand salt spray testing for 48 hours.



Main view



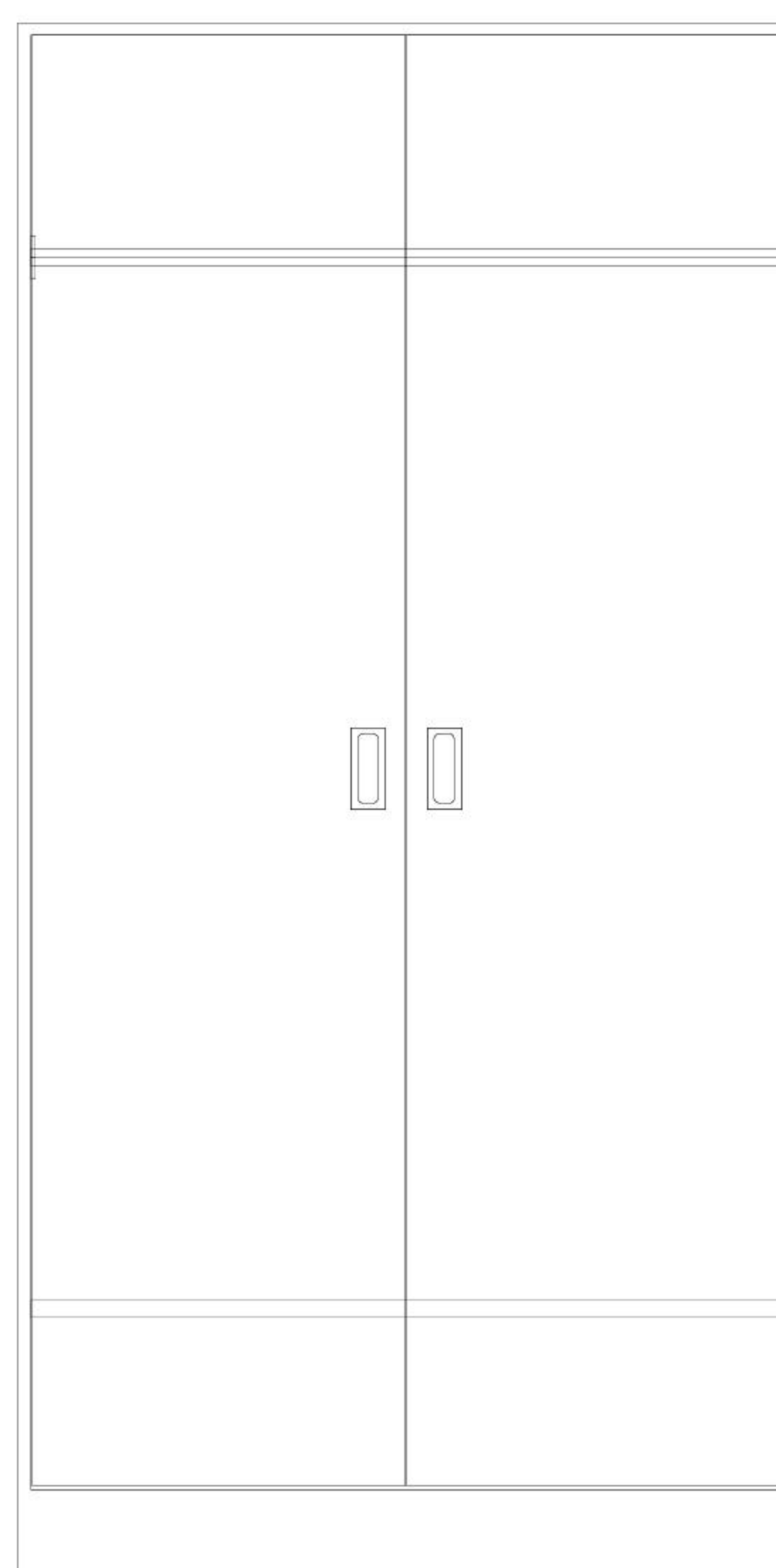
Lateral view

Item		V7 gas cylinder - double cylinder
Model		V7-DD-QPG-900
Dimension (L*W*H)		900*450*1800mm
Material	Cabinet body	Epoxy resin electrostatic sprayed 1.0mm steel, Salt spray resistance test 48h
	Visualization window	Rounded corner 5mm glass
	Structure	Disassembly and assembly structure
	Handle	128 stainless steel handle
	Alarm	Yes

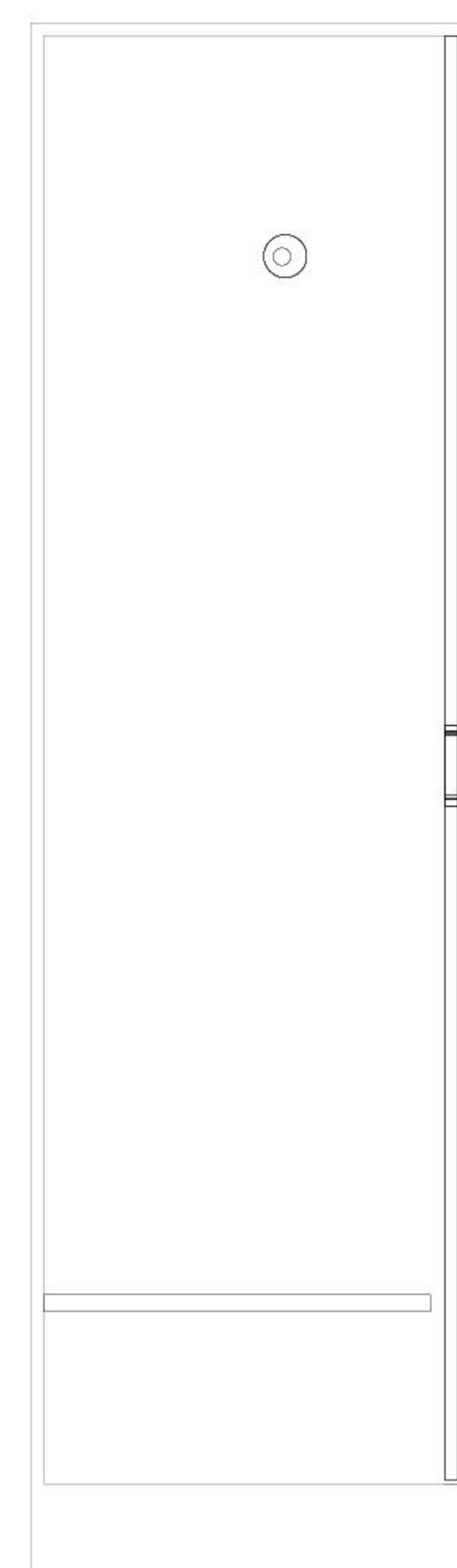
## V7 Cabinet (Wardrobe)

The wardrobe refers to cabinets for storing clothing, widely used in universities, hospitals, scientific research institutes, etc.

The main structure is modular assembled with aluminum alloy profiles, 1.0mm thickness steel cold-rolled plates sheet meta. The sheet meta is processed with a series of complex processes including shearing, bending, welding, stamping and grinding, pre-degreasing, main degreasing, water washing, ceramicization, water washing, drying, epoxy resin electrostatic powder spraying (coating thickness 0.06-0.08mm), using paint from AkzoNobel (Netherlands), using a 500m automatic spraying line (Suspension type assembly line), baked at 200 degrees, leveled and solidified, and can withstand salt spray testing for 48 hours.



Main view



Lateral view

Item	V7 wardrobe	
Model	V7-TDYG-900	
Dimension (L*W*H)	900*450*1800mm	
Material	Cabinet body	Epoxy resin electrostatic sprayed 1.0mm steel, Salt spray resistance test 48h
	Structure	Disassembly and assembly structure
	Handle	PVC hidden buckle handle/128 stainless steel handle
	Hinge	Axle

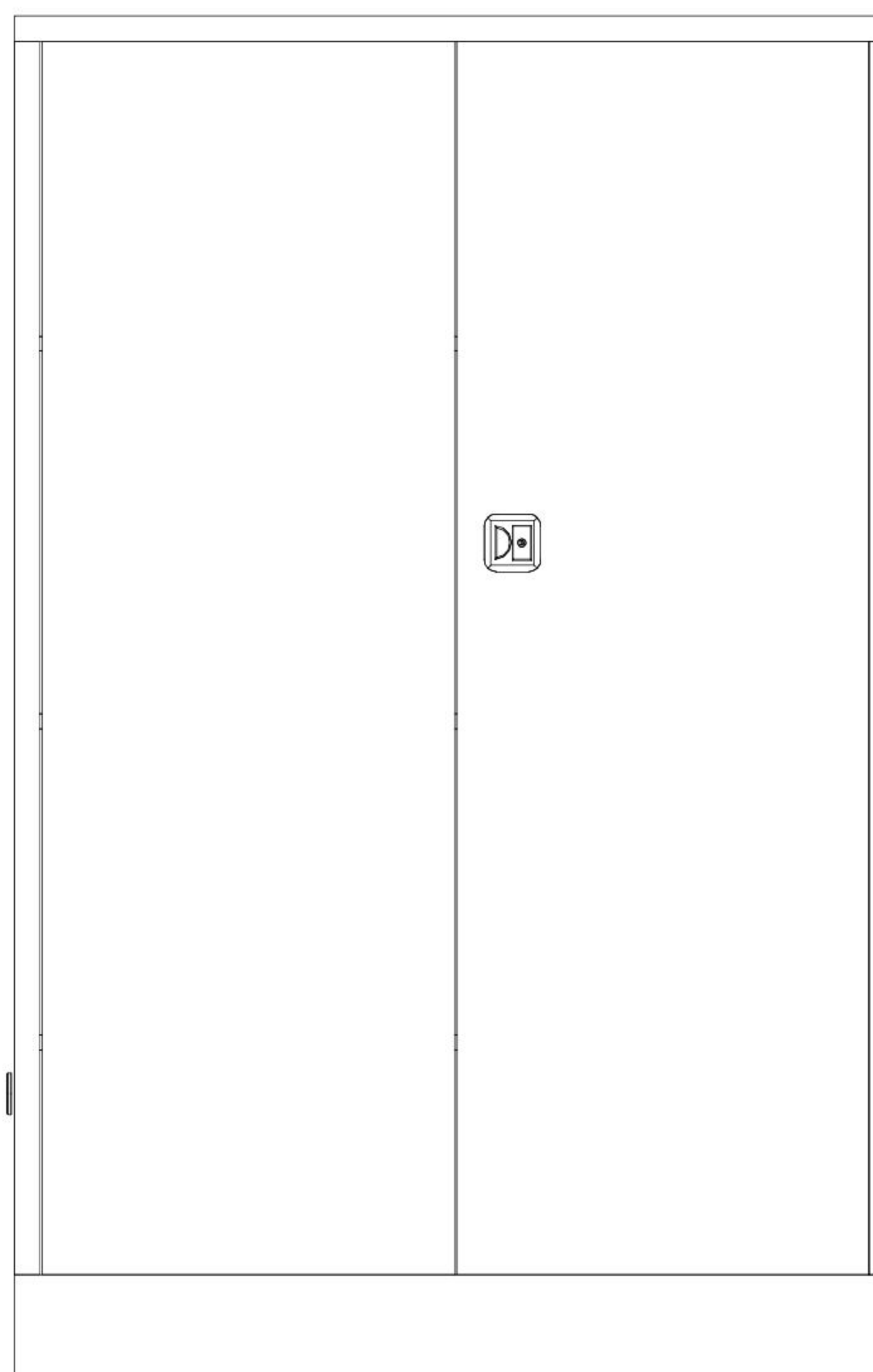
## V7 Cabinet (Hazardous Chemicals Cabinet)

Hazardous chemical cabinets refer to a type of equipment specially used to store hazardous chemicals and other dangerous items. It's fireproof, explosion-proof, anti-corrosion, sealing, and can effectively avoid serious harm caused by chemicals or other items to the surrounding environment, personnel and equipment.

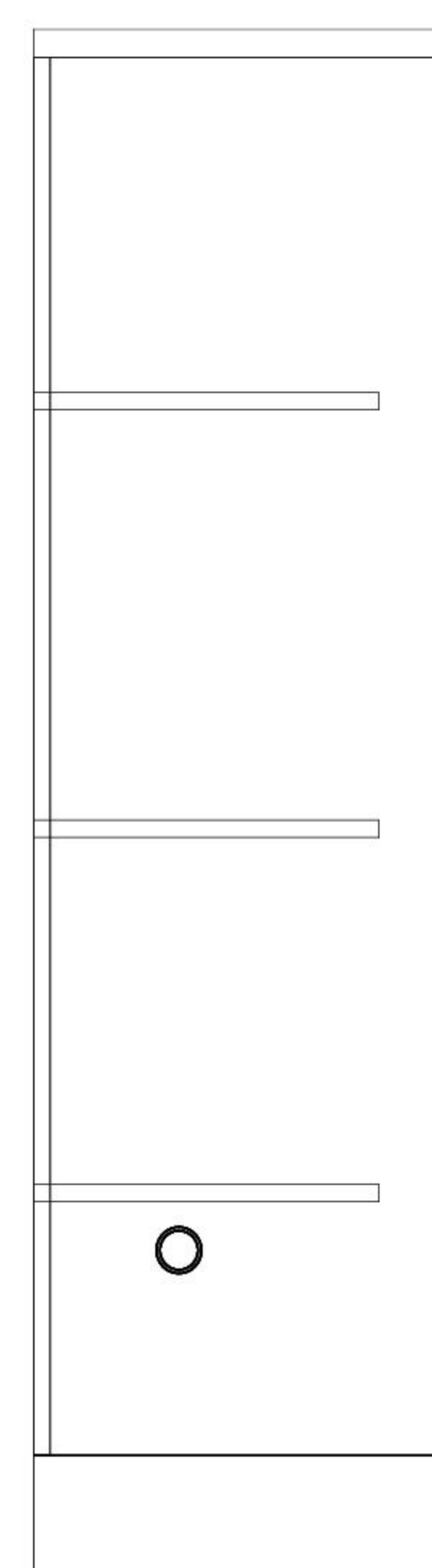
Users can distinguish chemicals with different protection levels and adopt corresponding storage methods and additional devices to ensure the safety by proper use.

Hazardous chemical cabinets are widely used in laboratories, hospitals, schools, etc.

The main structure is modular assembled with aluminum alloy profiles, 1.0mm thickness steel cold-rolled plates sheet meta. The sheet meta is processed with a series of complex processes including shearing, bending, welding, stamping and grinding, pre-degreasing, main degreasing, water washing, ceramicization, water washing, drying, epoxy resin electrostatic powder spraying (coating thickness 0.06-0.08mm), using paint from AkzoNobel (Netherlands), using a 500m automatic spraying line (Suspension type assembly line), baked at 200 degrees, leveled and solidified, and can withstand salt spray testing for 48 hours.



Main view



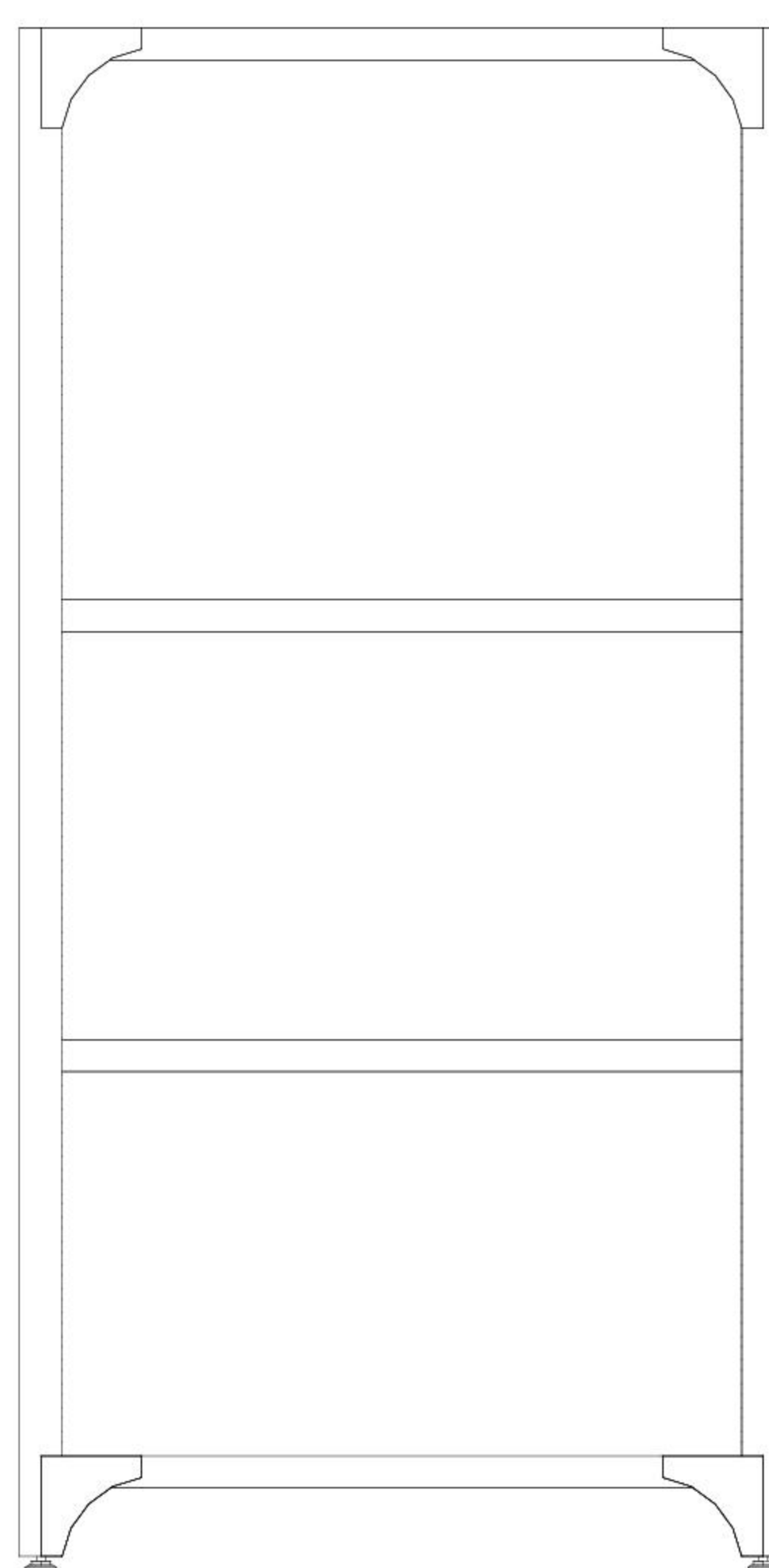
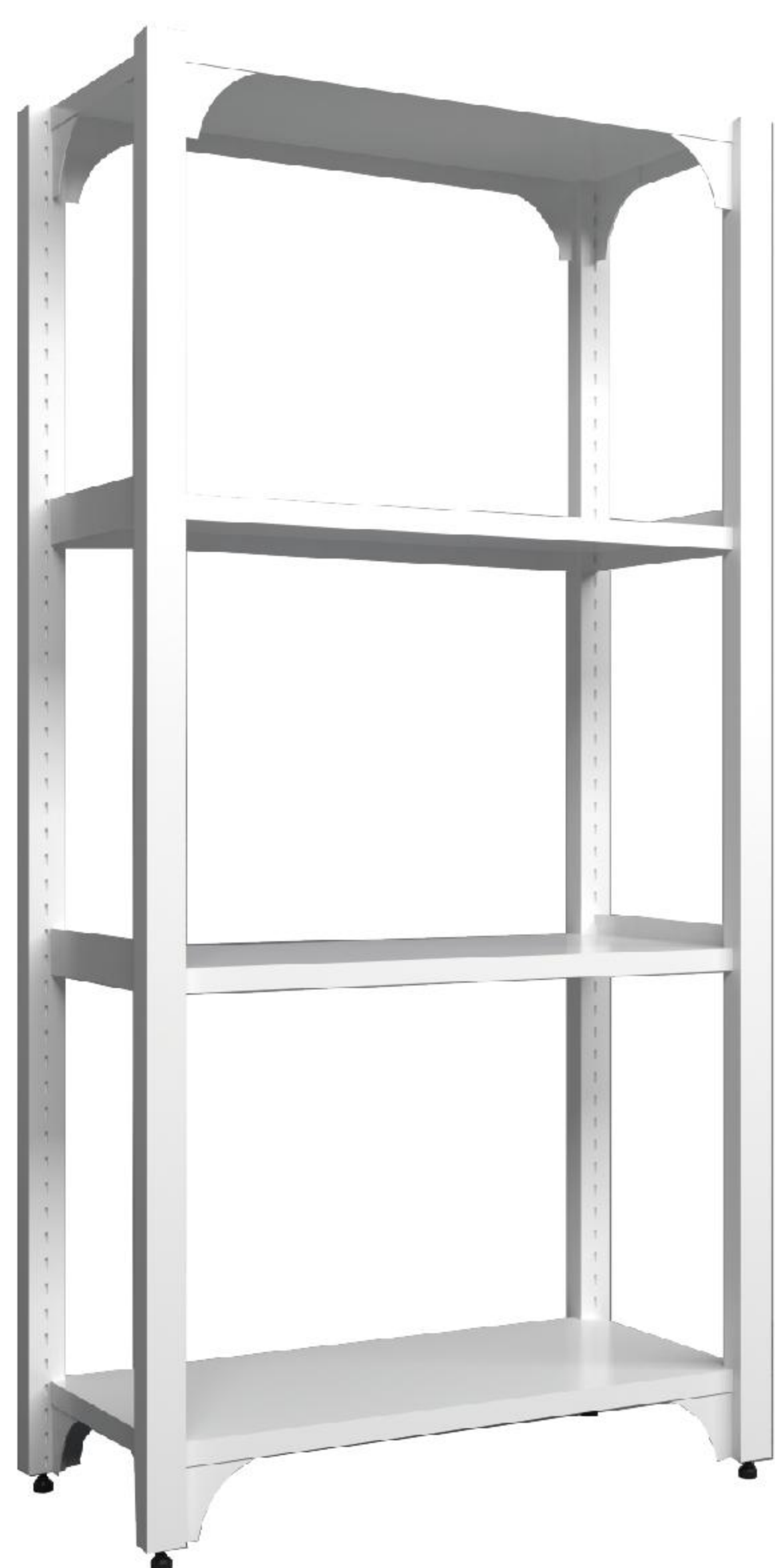
Lateral view

Item	V7 hazardous chemicals cabinet	
Model	V7-AQG-1090	
Dimension (L*W*H)	1090*460*1650mm	
Material	Cabinet body	Epoxy resin electrostatic sprayed 1.0mm steel, Salt spray resistance test 48h
	Visualization window	Double-layer fireproof steel structure
	Structure	Fully assembled
	Handle	Three-point linkage lock

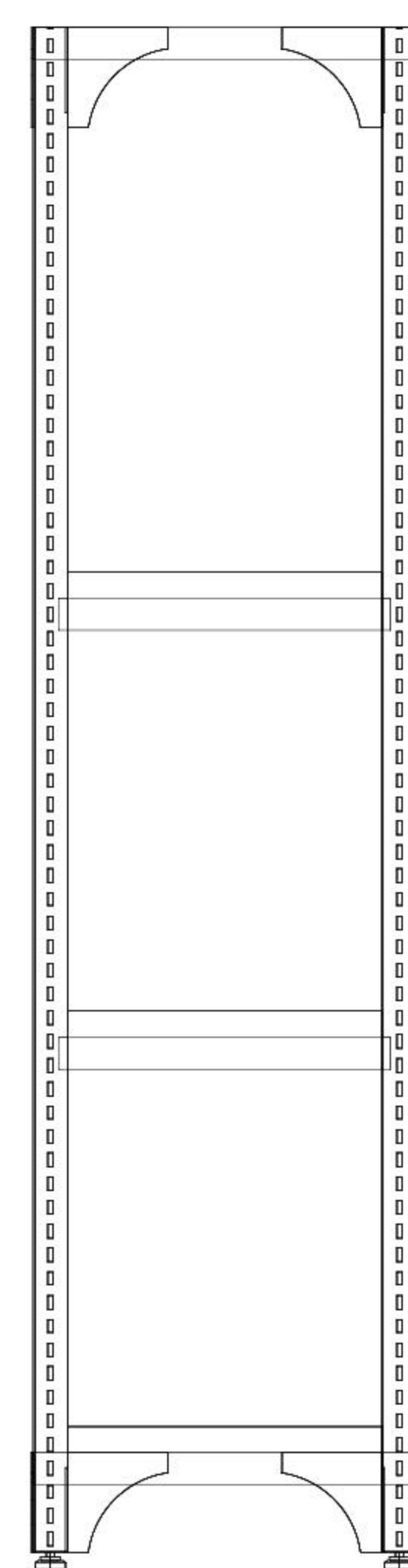
# V7 Shelves

The shelves are used to store various items for facilitate warehouse management and cargo access, improving space utilization efficiency through reasonable shelf design and layout.

The main structure is modular assembled with aluminum alloy profiles, 1.0mm thickness steel cold-rolled plates sheet meta. The sheet meta is processed with a series of complex processes including shearing, bending, welding, stamping and grinding, pre-degreasing, main degreasing, water washing, ceramicization, water washing, drying, epoxy resin electrostatic powder spraying (coating thickness 0.06 -0.08mm), using paint from AkzoNobel (Netherlands), using a 500m automatic spraying line (Suspension type assembly line), baked at 200 degrees, leveled and solidified, and can withstand salt spray testing for 48 hours.



Main view



Lateral view

Item	V7 shelves	
Model	V7-HJ-900	
Dimension (L*W*H)	900*450*1800mm	
Material	Cabinet body	Epoxy resin electrostatic sprayed 1.0mm steel, Salt spray resistance test 48h
	Visualization window	Disassembly and assembly structure
	Structure	Parts

## V7 Benches

The laboratory bench consists reagent racks, suspended bridge modules, functional columns, wall-mounted cabinets, and base cabinets. It can be matched and combined according to customer needs. It also meets customer needs for water, electricity, and gas, creating convenient and comfortable laboratory working environment for users.

Introduction:

1、 Cabinet: Made of 1.0mm cold-rolled steel plate, it is exquisitely made through a series of processes such as shearing, bending, welding, stamping, and grinding. The surface is degreased, pickled, and ceramicized for anti-rust treatment, and then sprayed with AkzoNobel (Netherlands) electrostatic paints, EPOXY protective layer, which ensures long service life and strong corrosion resistance.

2、 Hardware:

(1)DTC high quality silent three-section slide rail.

(2)DTC high quality hinge.

3、 Handle: Hidden buckle, or 128 stainless steel handle.

4、 Maximum load capacity: 900KG

**Certificates: SEFA 8M-2016、 SEFA 10-2020、 EN 13150-2020、 GB 24820-2009 .**



V7 side bench



V7 central bench

Item	V7 side bench	V7 central bench
Model	V7-BT	V7-ZYT
Dimension (L*W*H)	L*750*850mm	L*1500*850mm
Material	Type	Floor type
	Cabinet body	1.0mm steel
	Cabinet door structure	Double-layer sound insulation built-in door
	Handle	PVC hidden buckle handle/ 128 stainless steel handle
	Structure	Disassembly and assembly structure
	Paint	Epoxy resin electrostatic spraying, salt spray resistance test for 48 hours
	Hinge	DTC buffer hinge
	Slide rail	DTC high-quality silent three-section slide rail
	Work top	Physio-chemical board/ceramic board/epoxy resin board (Optional)
	Water accessories	Optional



## V7 Benches Functional Cabinets

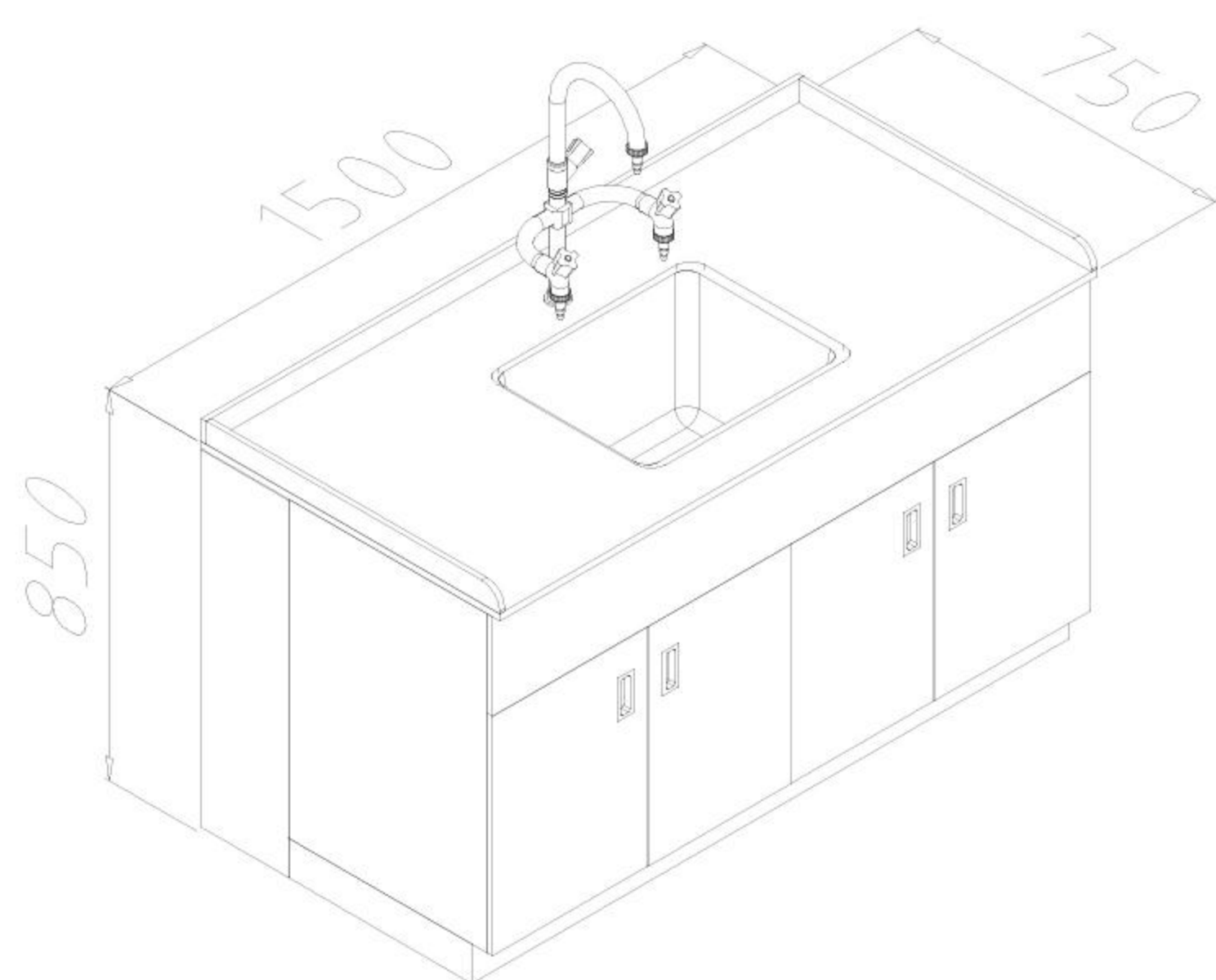
The sink cabinet is used for laboratory cleaning and disinfection, usually consisting of a sink and a work top. Its main function is to provide a clean and hygienic working environment to ensure the accuracy and reliability of experimental operations.

Two types: single-port and double-port. A single-port sink has only one faucet, which is suitable for use in some small laboratories; while a double-port sink has two faucets, which can supply cold and hot water at the same time, making cleaning and disinfection more convenient.

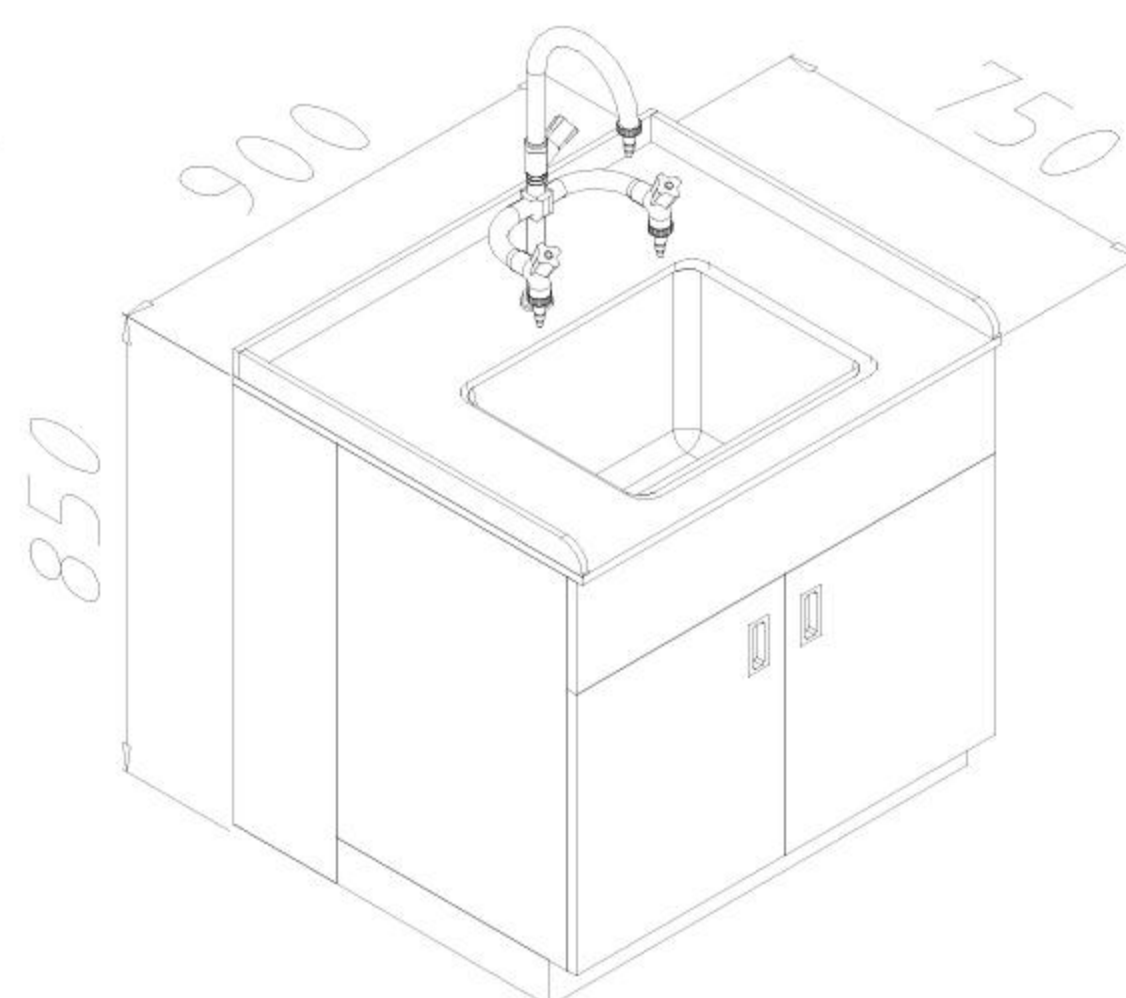
Corner cabinets are mainly used to store documents, and other items. They are generally placed in the corners of the laboratory and are used to connect vertical cabinets to improve space utiliza-

tion and aesthetics.

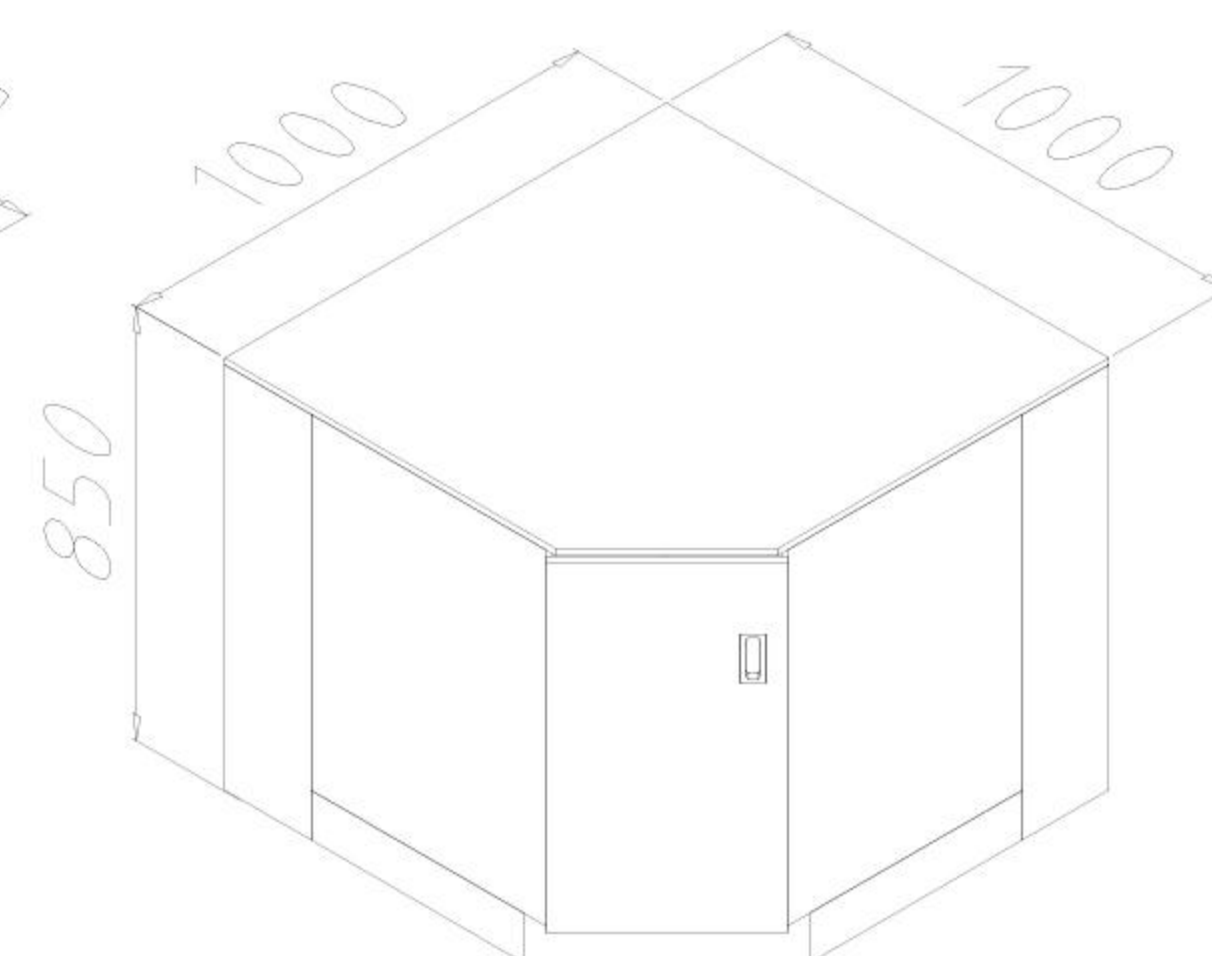
The main structure is modular assembled with aluminum alloy profiles, 1.0mm thickness steel cold-rolled plates sheet meta. The sheet meta is processed with a series of complex processes including shearing, bending, welding, stamping and grinding, pre-degreasing, main degreasing, water washing, ceramicization, water washing, drying, epoxy resin electrostatic powder spraying (coating thickness 0.06 -0.08mm), using paint from AkzoNobel (Netherlands), using a 500m automatic spraying line (Suspension type assembly line), baked at 200 degrees, leveled and solidified, and can withstand salt spray testing for 48 hours.



V7 sink cabinet 1500L single piece drawing



V7 sink cabinet 900L single piece drawing

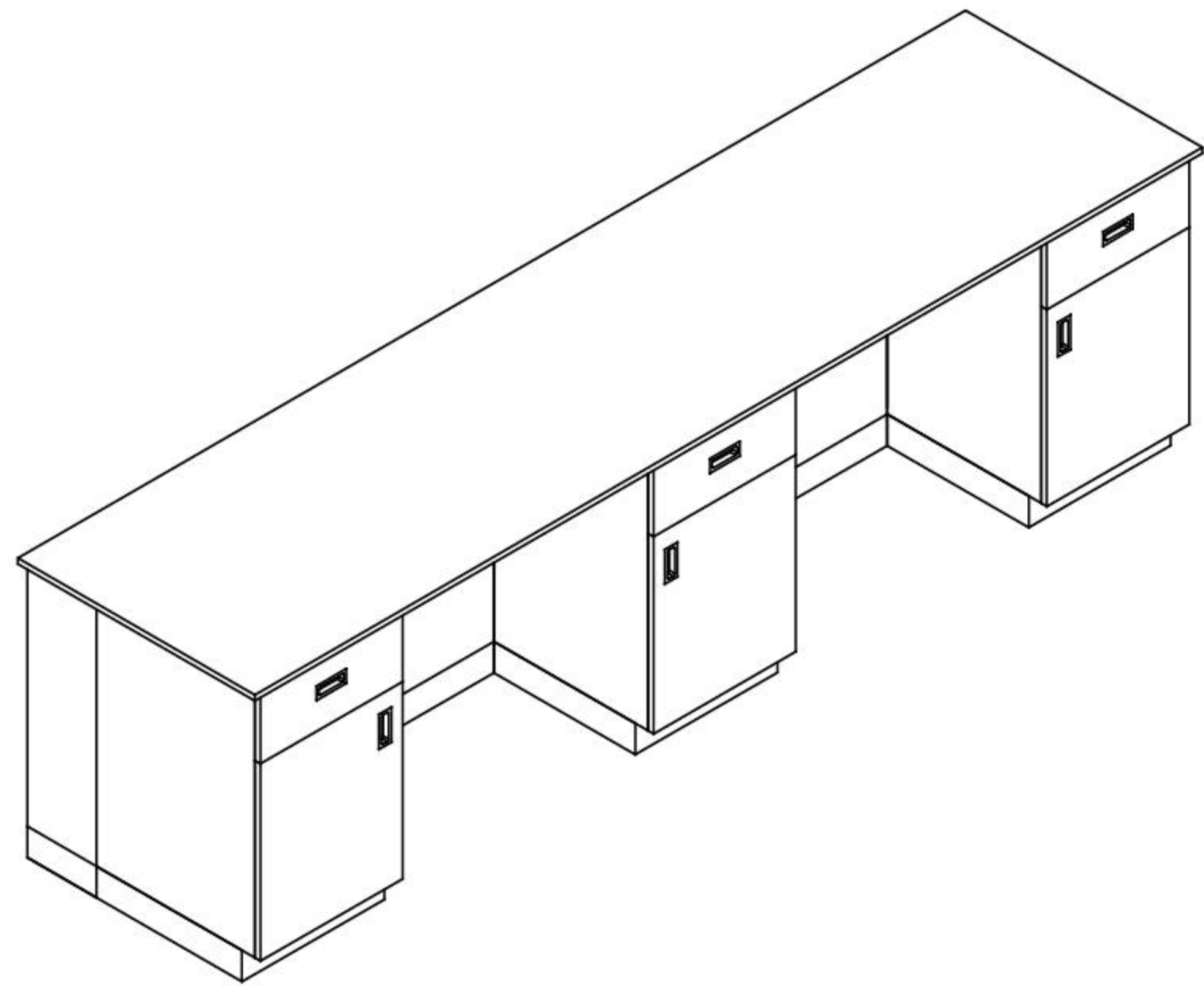


V7 corner cabinet single piece drawing

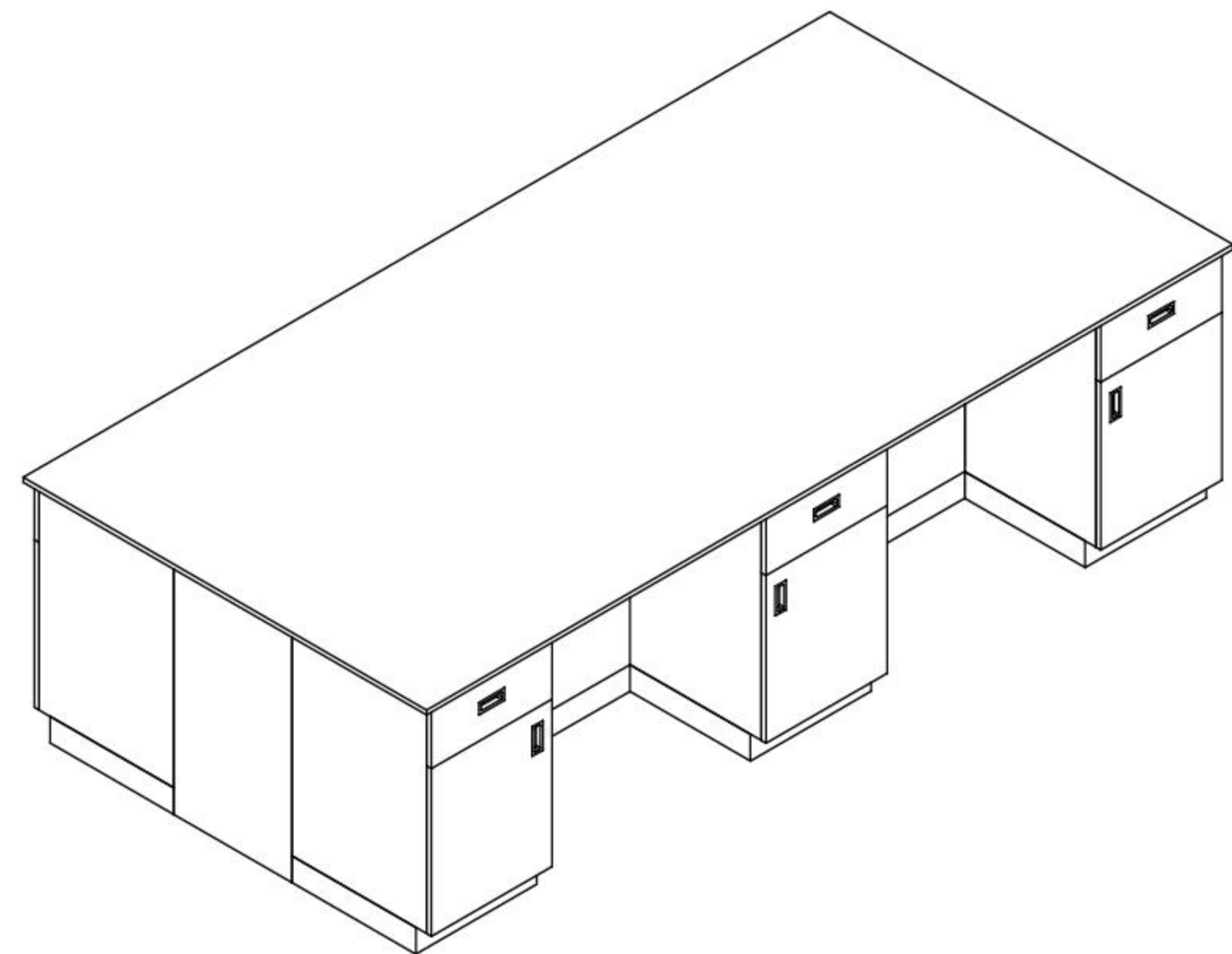
Item	V7 sink cabinet	V7 corner cabinet
Model	V7-SCG-900/1500	V7-ZJT-1000
Dimension (L*W*H)	900/1500*750*850MM	1000*1000*850MM
Material	Type	Floor type
	Cabinet body	1.0mm steel
	Cabinet door structure	Double-layer sound insulation built-in door
	Handle	Exposed handle/ PVC hidden handle
	Structure	Disassembly and assembly structure
	Paint	Epoxy resin electrostatic spraying, salt spray resistance test for 48 hours
	Hinge	DTC buffer hinge
	Work top	Physio-chemical board/ceramic board/epoxy resin board (Optional)
Water accessories	Optional	

# V7 Laboratory Benches Selection

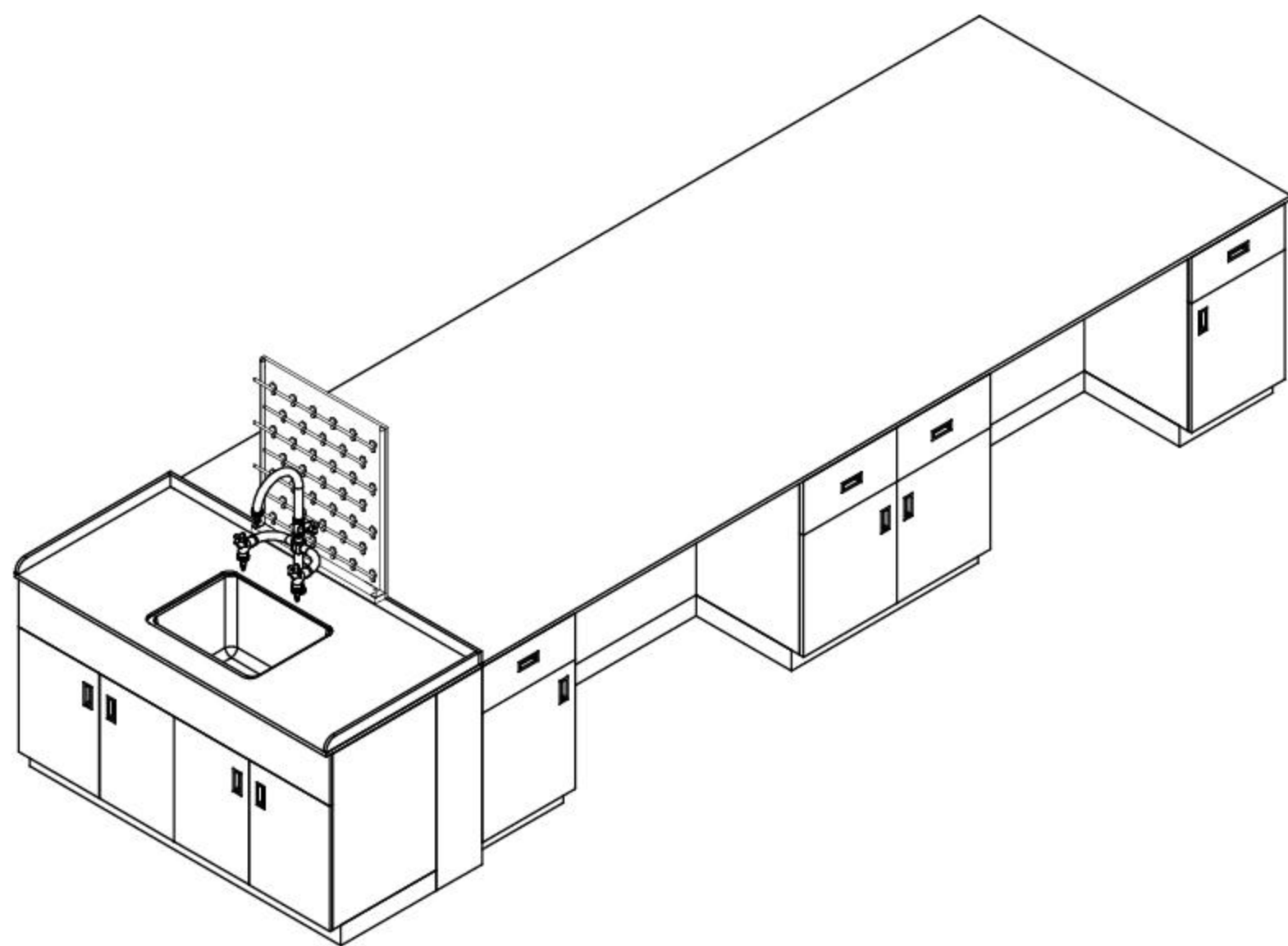
---



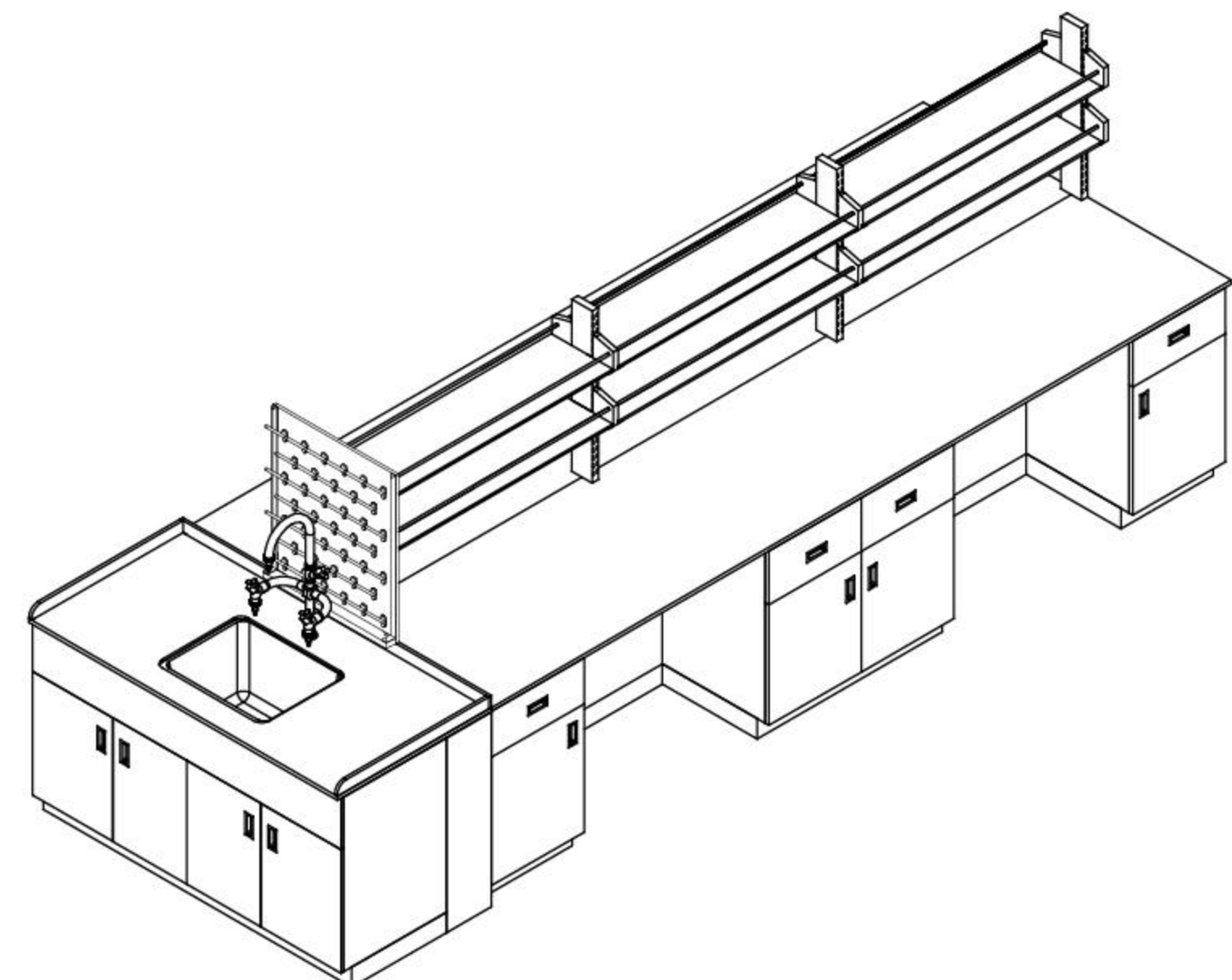
V7 laboratory benches selection 1



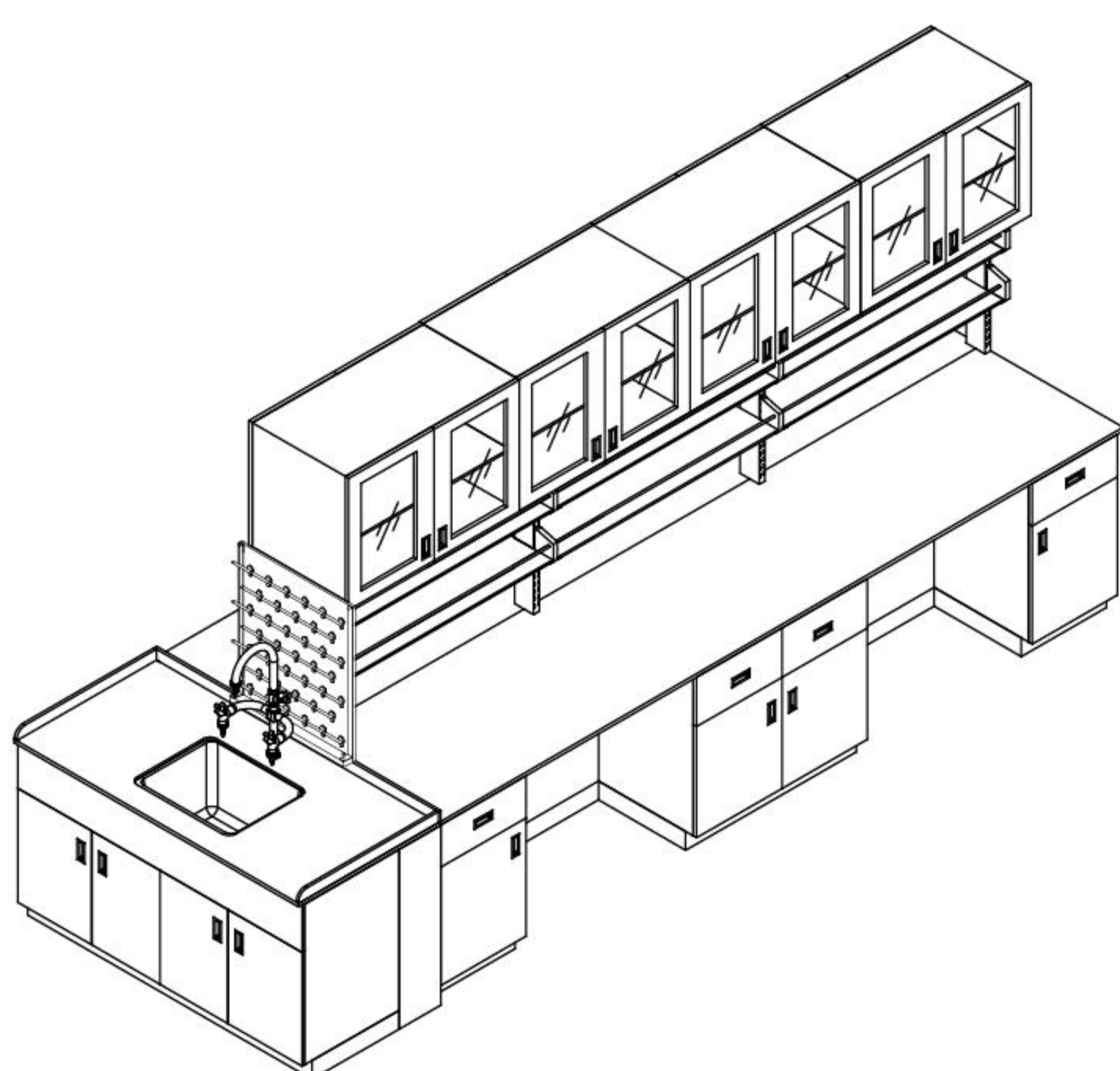
V7 laboratory benches selection 2



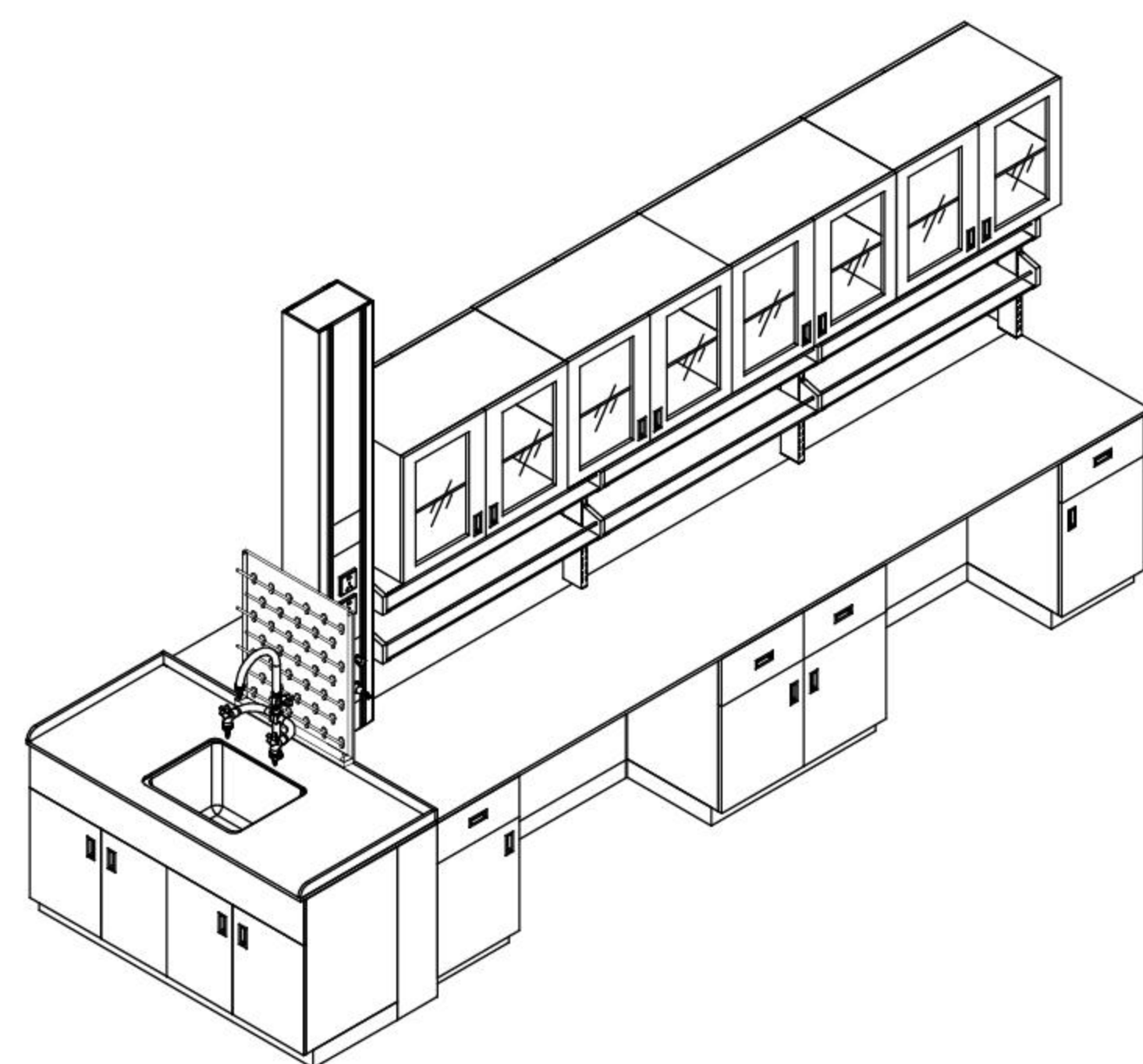
V7 laboratory benches selection 3



V7 laboratory benches selection 4



V7 laboratory benches selection 5



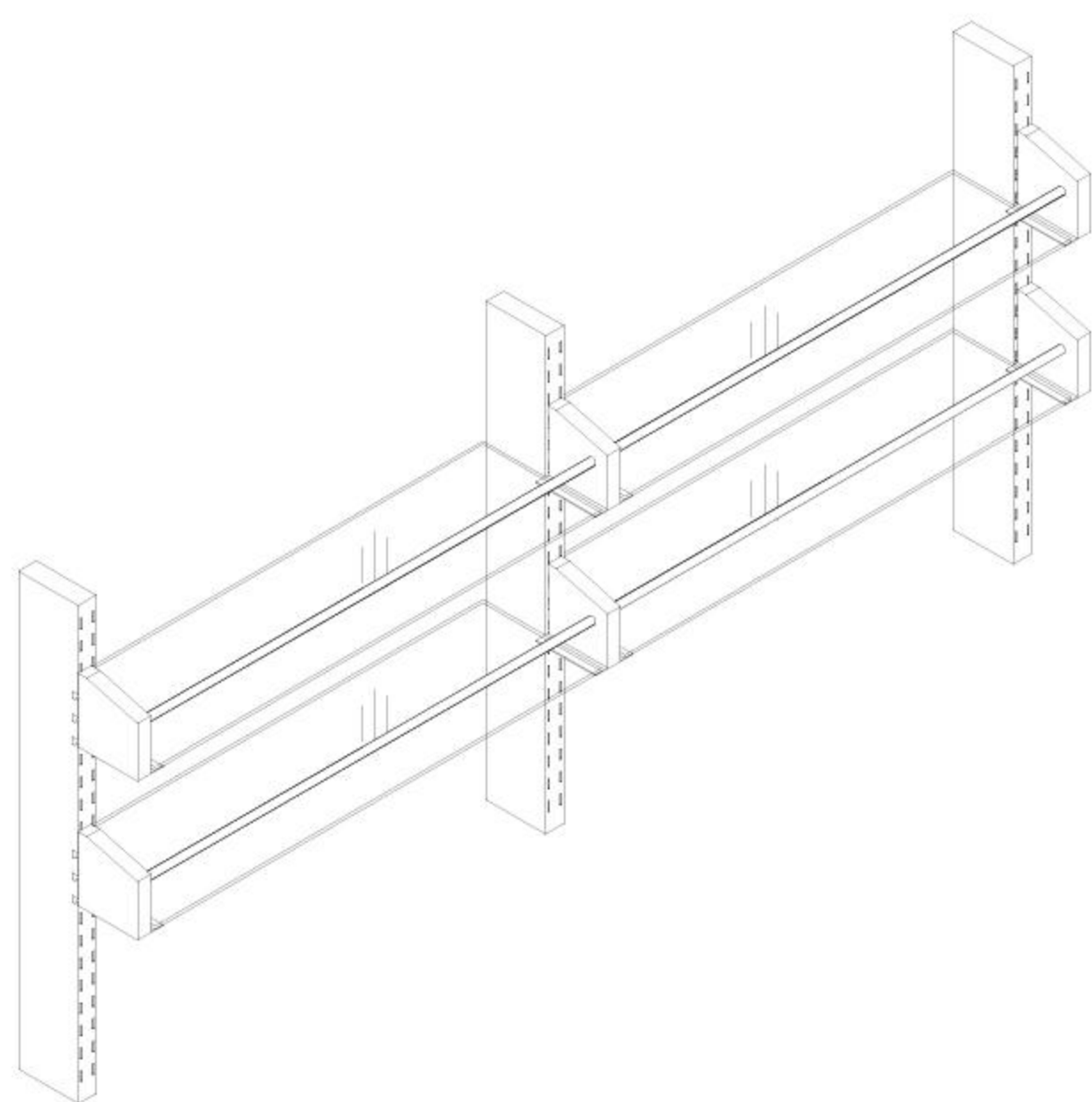
V7 laboratory benches selection 6

# V7 Reagent Rack

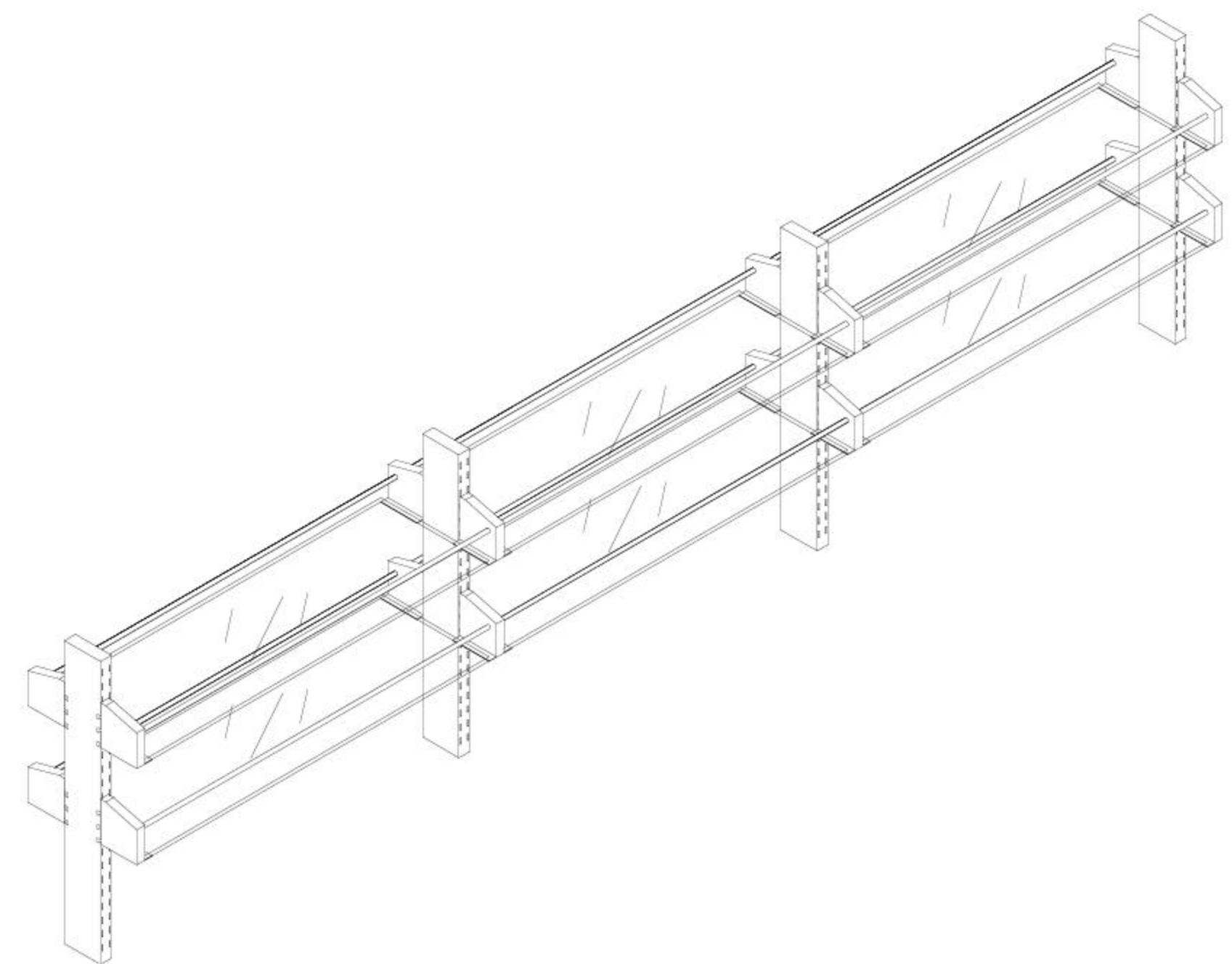
The reagent rack is usually installed on the side benches or the central benches. It is used to place glassware, test tubes, medicines, etc..

The main structure is made of 1.0mm thickness steel cold-rolled plates sheet meta. The sheet meta is processed with a series of complex processes including shearing, bending, welding, stamping and grinding, pre-degreasing, main degreasing, water washing, ceramicization, water washing, drying, epoxy resin electrostatic powder spraying (coating thickness 0.06 -0.08mm), using paint from AkzoNobel (Netherlands), using a 500m automatic spraying line (Suspension type assembly line), baked at 200 degrees, leveled and solidified, and can withstand salt spray testing for 48 hours.

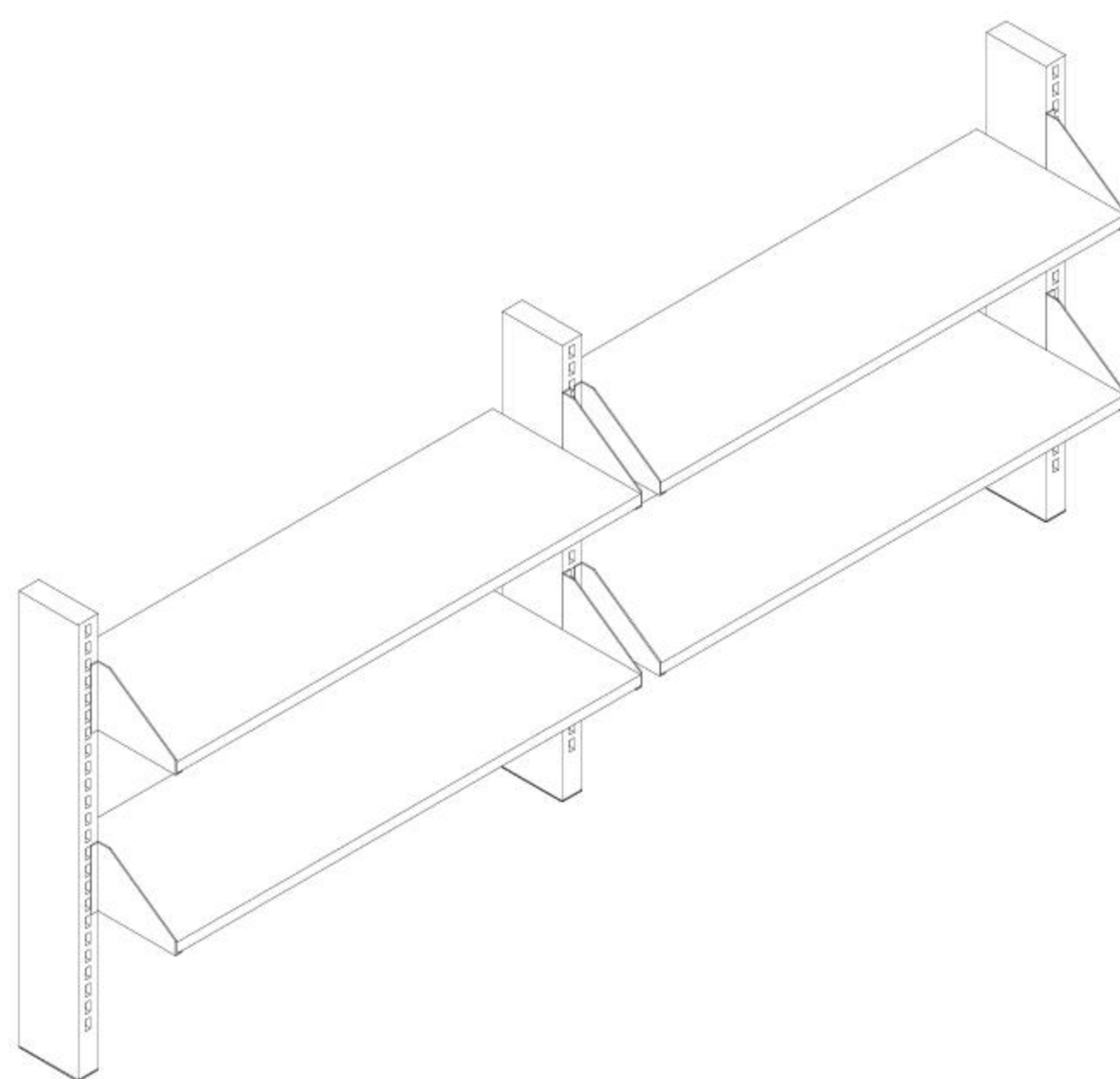
**Certificates: SEFA 10-2020、GB 24820-2009.**



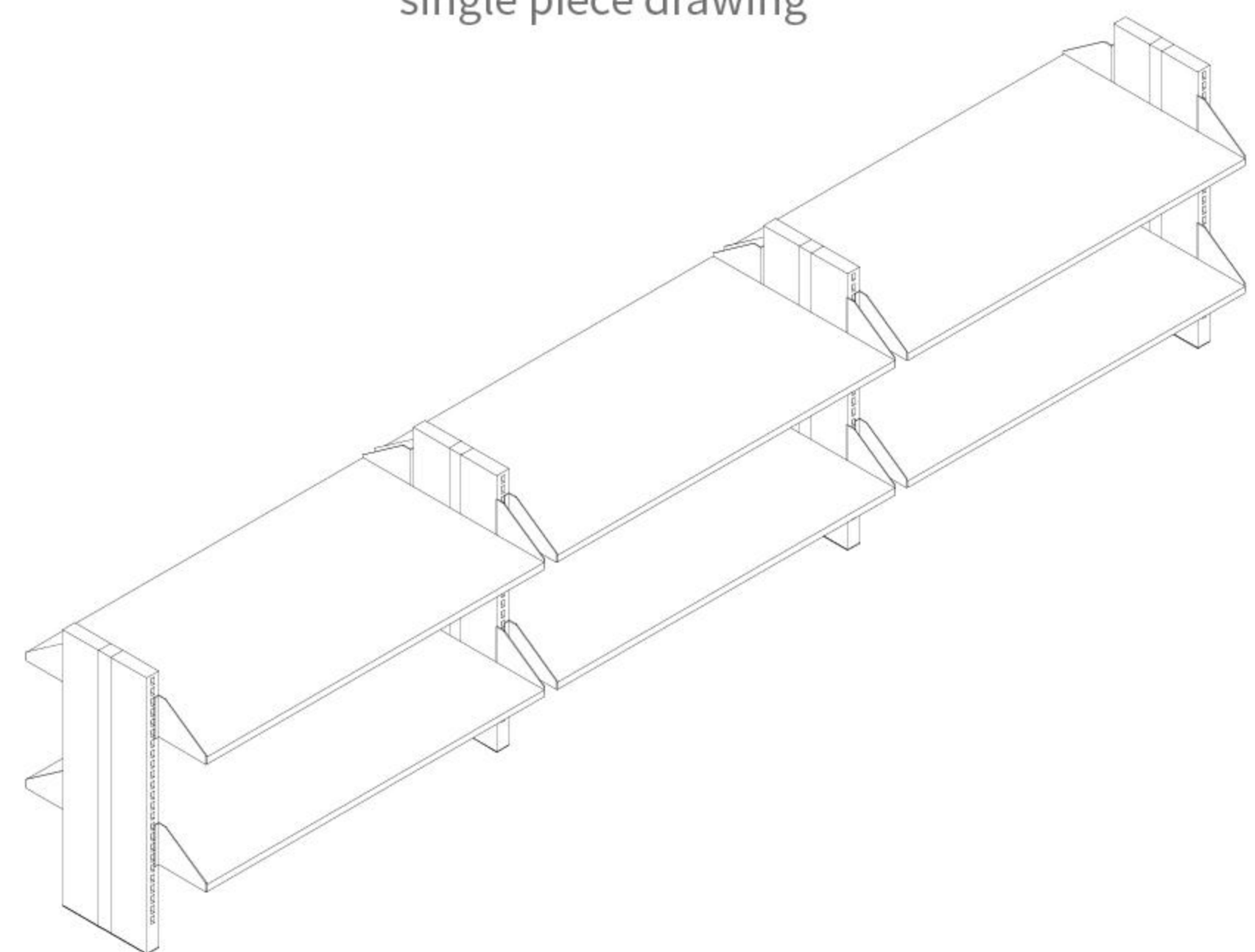
V7 side bench reagent rack single piece drawing



V7 central bench reagent rack single piece drawing



V7 side bench load-bearing reagent rack single piece drawing



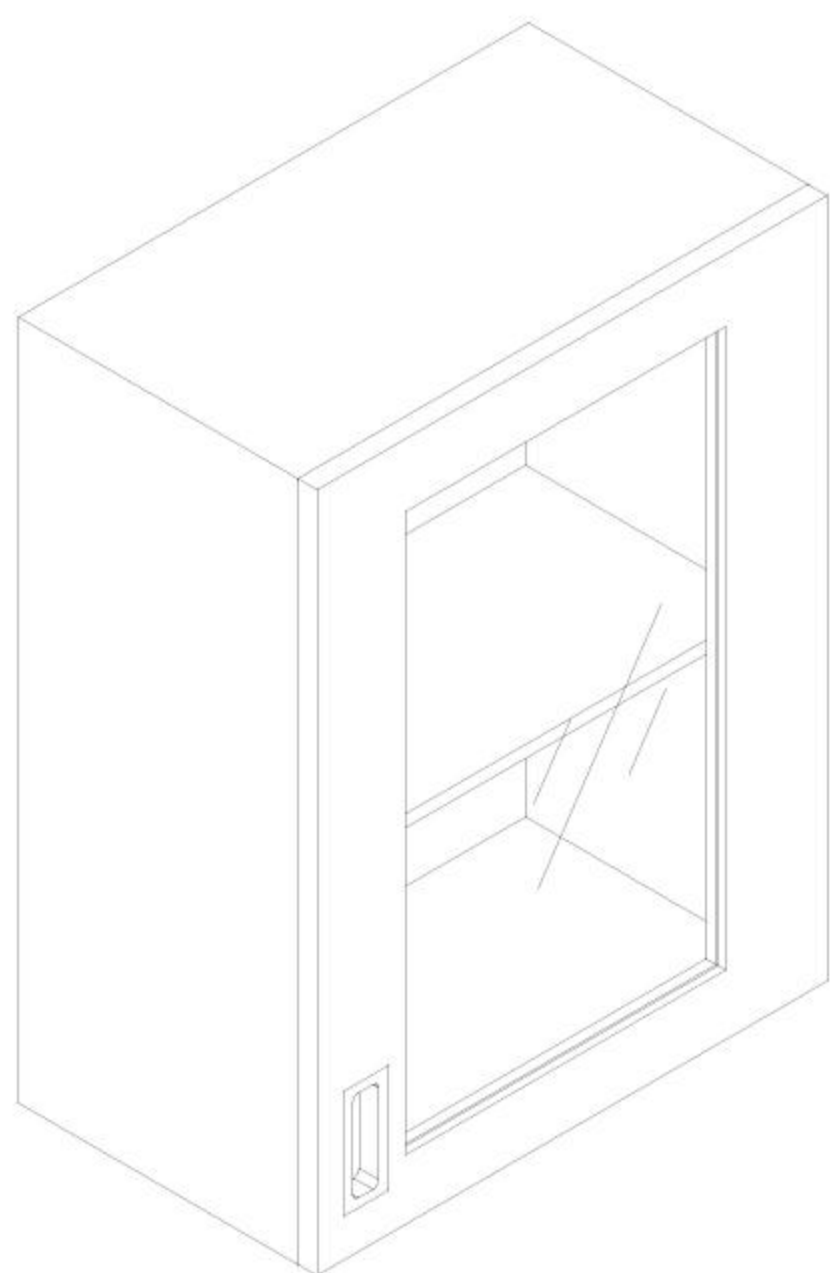
V7 central bench load-bearing reagent rack single piece drawing

Item	V7 side bench reagent rack	V7 central bench reagent rack	V7 side bench load-bearing reagent rack	V7 central bench load-bearing reagent rack
Model	V7-GBSJJ-250	V7-CZSJJ-350	V7-CZSJJ-250	V7-CZSJJ-400
Dimension (L*W*H)	L*250*750mm	L*350*750mm	L*250*750mm	L*350*750mm
Material	Main body material	Epoxy resin electrostatic sprayed 1.0mm steel, Salt spray resistance test 48h		
	Fence material	Stainless steel pipe/ aluminum profile		None
	Layer material	8mm thickness glass		1.0mm steel/ physio-chemical
	Power Socket	Self-molded		

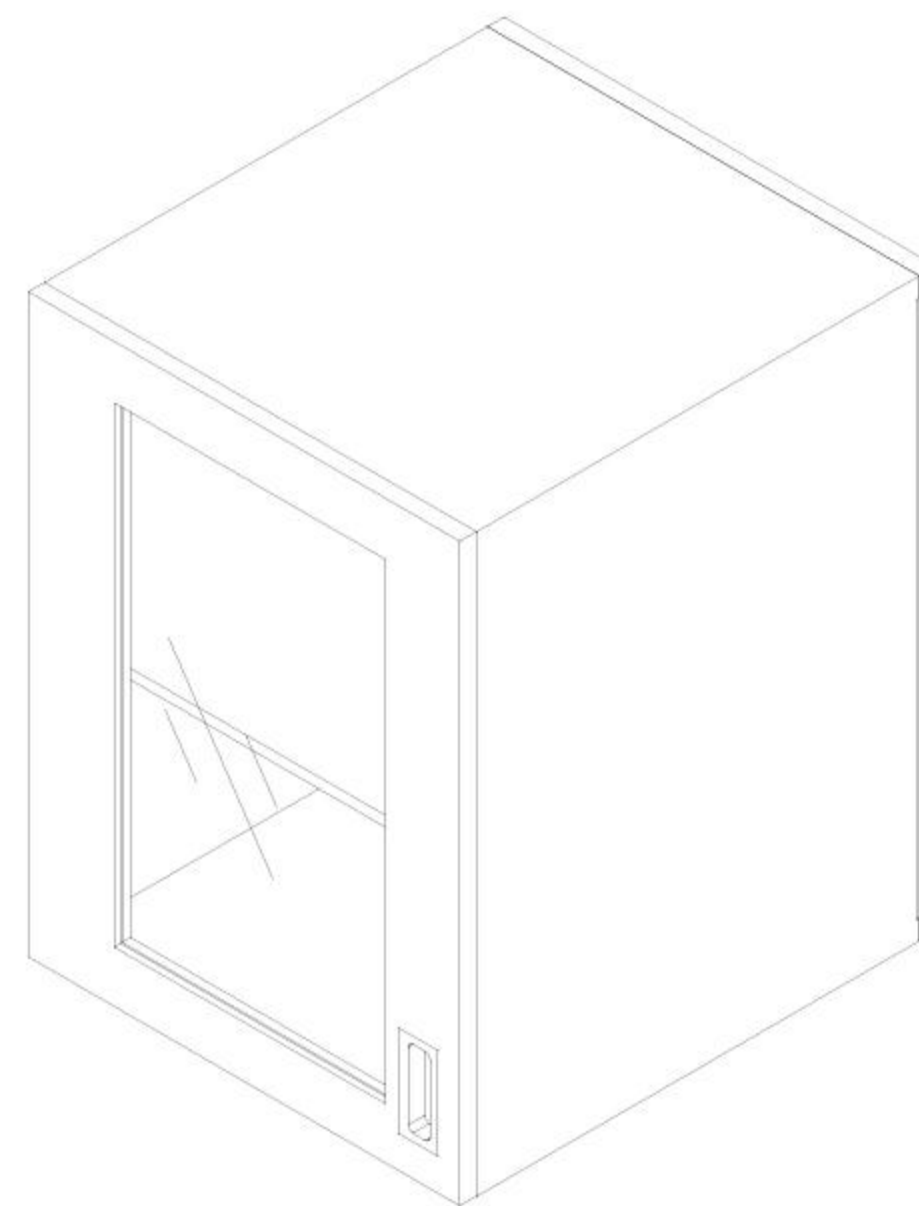
## V7 Wall-mounted Cabinet

Wall-mounted cabinets are mainly used to store documents, and other items. According to different application scenarios, they can be divided into single-door (left and right), double-door, and four-door.

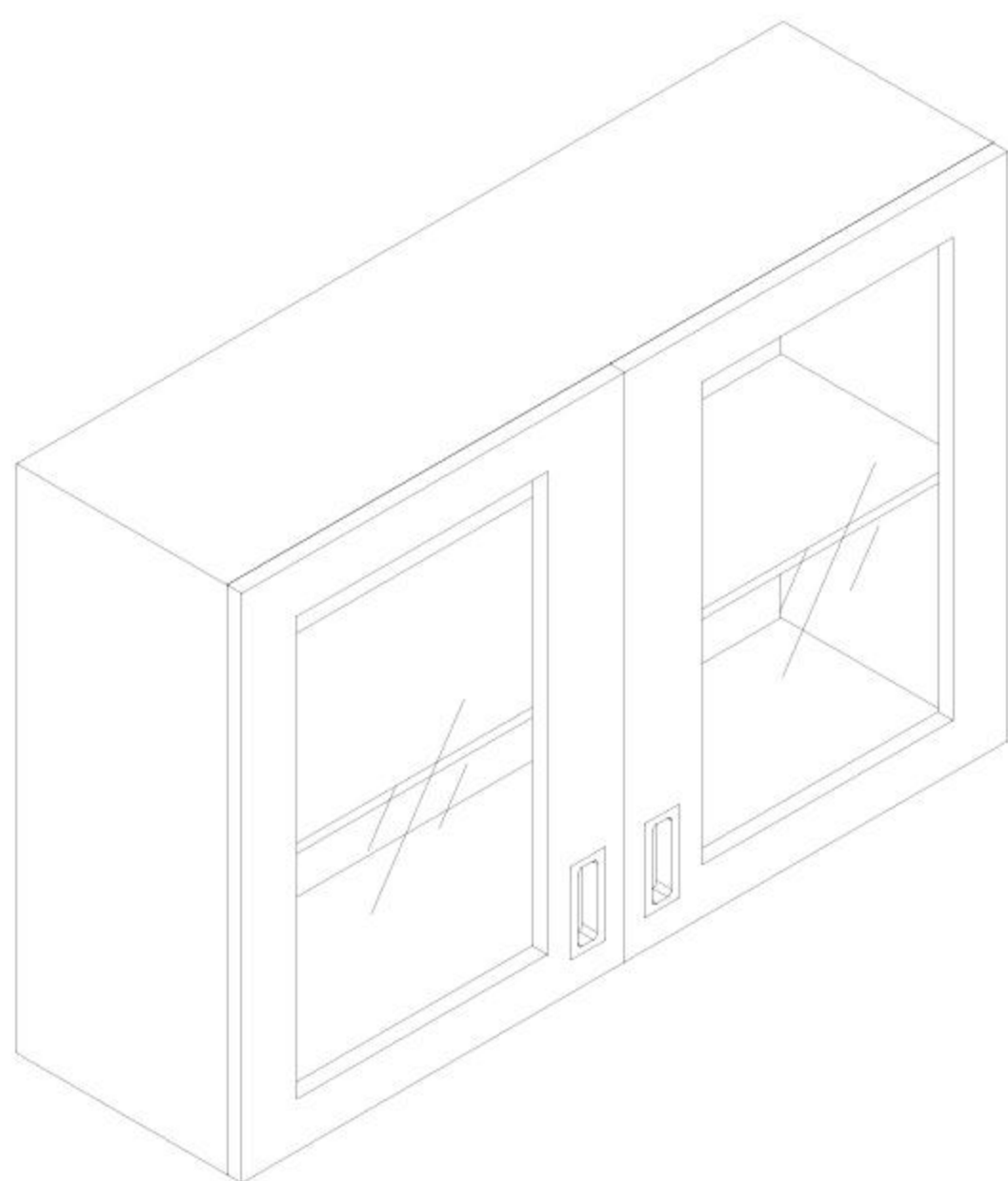
The main structure is modular assembled with aluminum alloy profiles, 1.0mm thickness steel cold-rolled plates sheet meta. The sheet meta is processed with a series of complex processes including shearing, bending, welding, stamping and grinding, pre-degreasing, main degreasing, water washing, ceramicization, water washing, drying, epoxy resin electrostatic powder spraying (coating thickness 0.06 -0.08mm), using paint from AkzoNobel (Netherlands), using a 500m automatic spraying line (Suspension type assembly line), baked at 200 degrees, leveled and solidified, and can withstand salt spray testing for 48 hours.



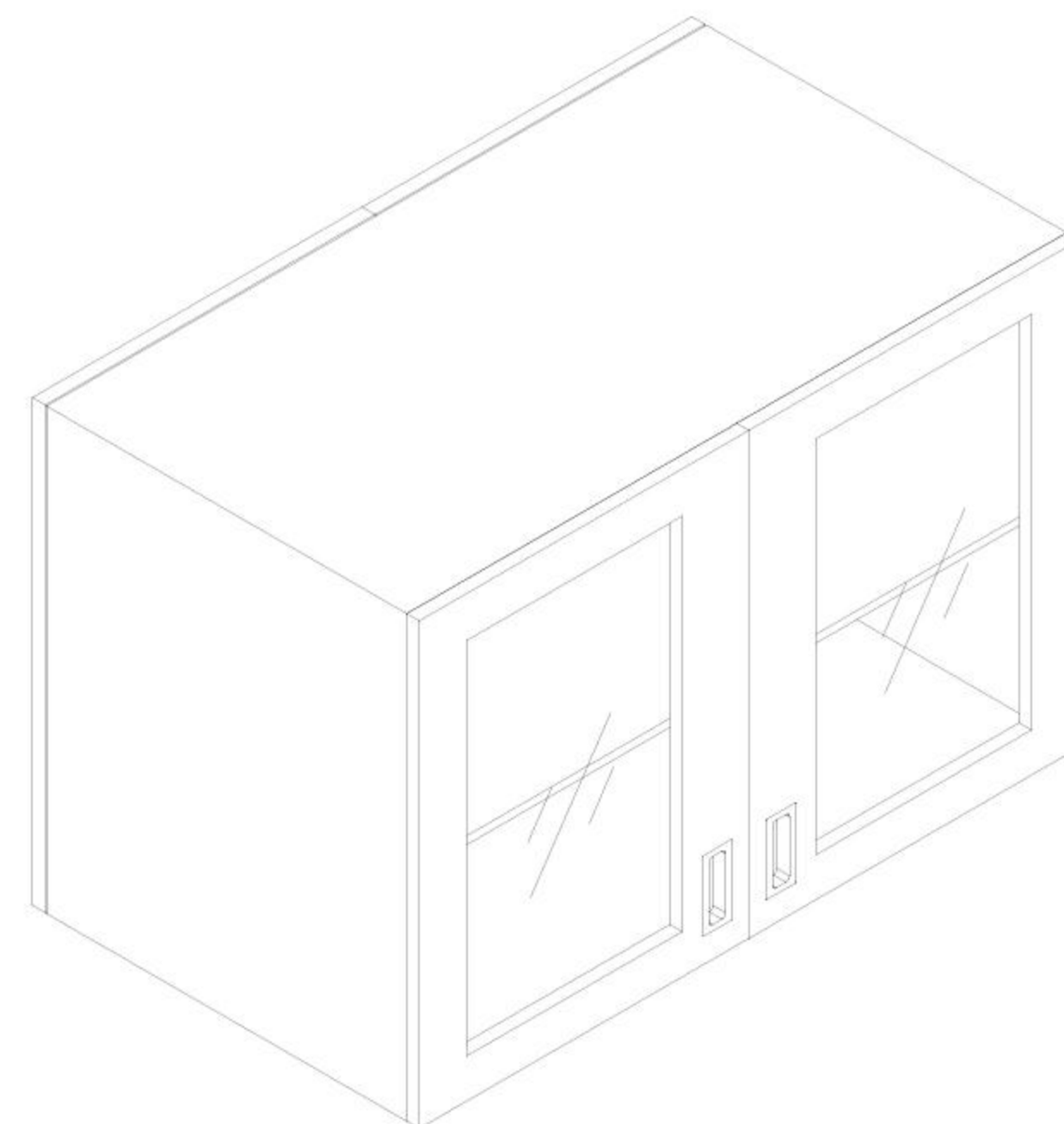
V7 side bench 1 door wall-mounted cabinet single piece drawing



V7 central bench 1 door wall-mounted cabinet single piece drawing



V7 side bench 2 door wall-mounted cabinet single piece drawing



V7 central bench 2 door wall-mounted cabinet single piece drawing

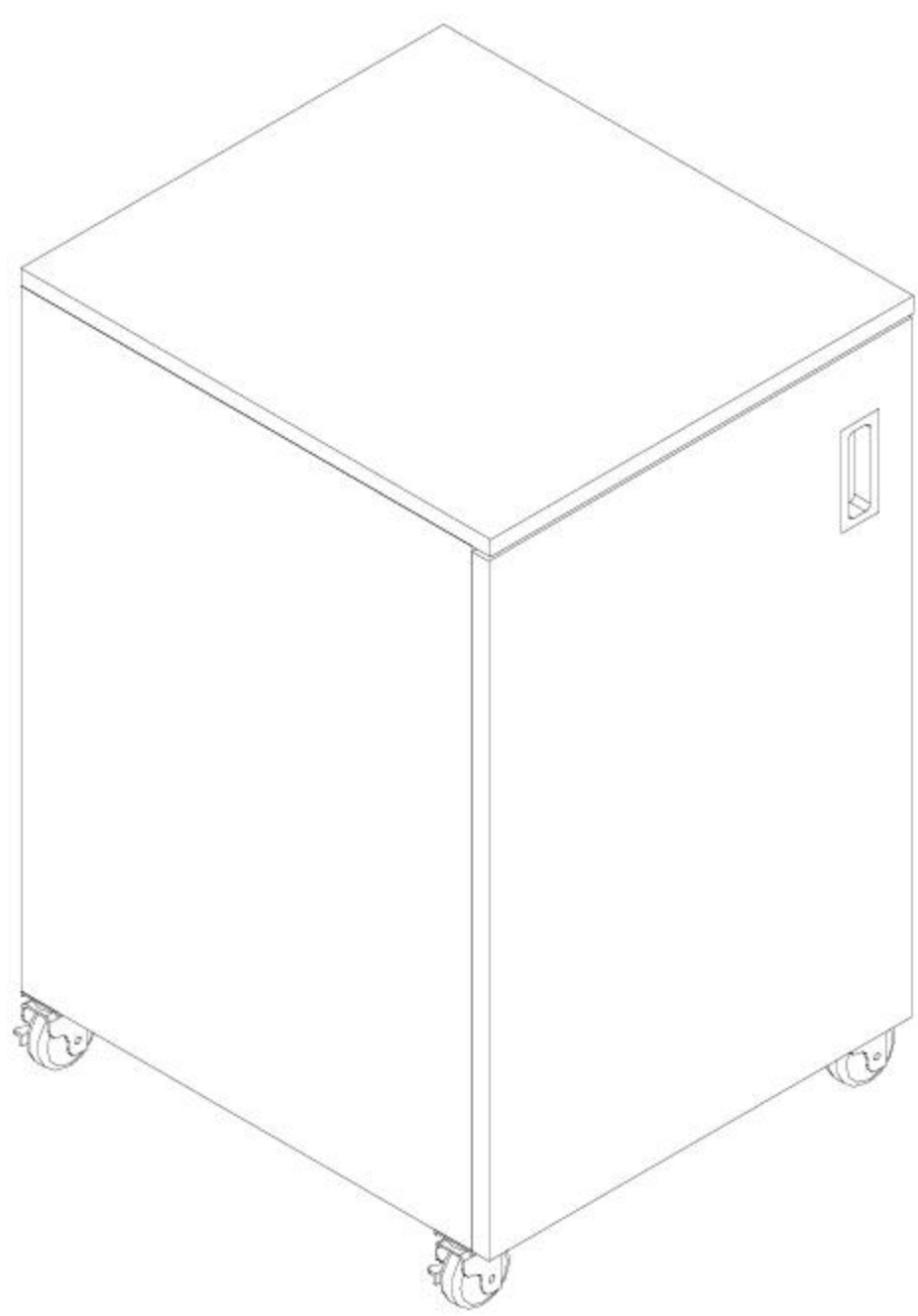
Item	V7 side bench 1 door wall-mounted cabinet	V7 side bench 2 door wall-mounted cabinet	V7 central bench 1 door wall-mounted cabinet	V7 central bench 2 door wall-mounted cabinet
Model	V7-DG-450-1	V7-DG-900-1	V7-DG-450-2	V7-DG-900-2
Dimension (L*W*H)	450*300*600mm	900*300*600mm	450*600*600mm	900*600*600mm
Material	Main body material	Epoxy resin electrostatic sprayed 1.0mm steel, Salt spray resistance test 48h		
	Handle	PVC hidden handle/ 128 stainless steel handle		PVC hidden handle/ 128 stainless steel handle
	Hinge	DTC buffer hinge		DTC buffer hinge
	Cabinet door material	Steel solid door/glass door		Steel solid door/glass door

# V7 Mobile Cabinet

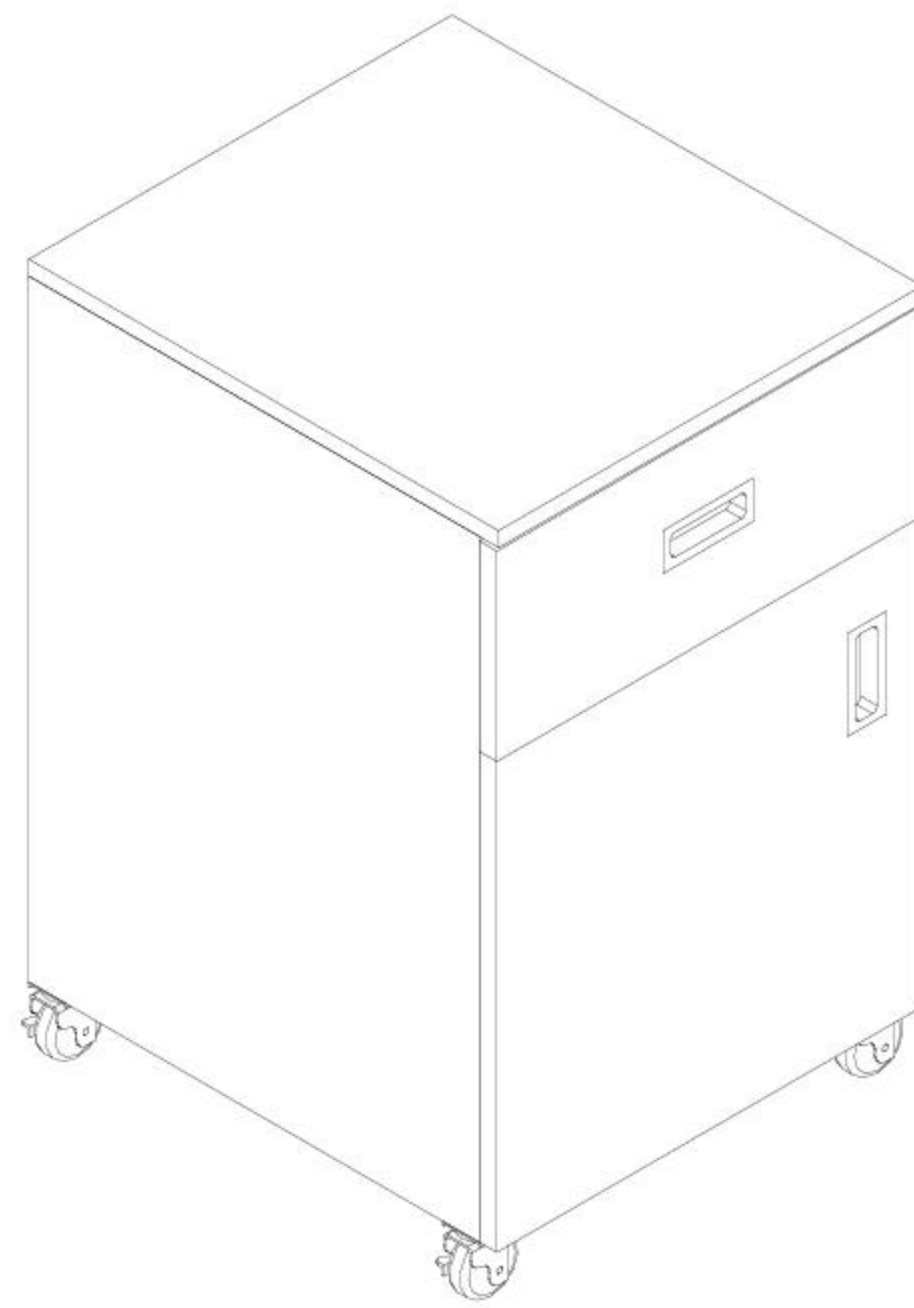
The mobile cabinets are mainly used to store documents and other items, which can be flexibly adjusted at any time according to the needs of customer scenarios. It is often used at the bottom of the frame-type central table. According to the function, it can be divided into single-door(left, right), single-door single-drawer (left, right), and three-drawer cabinets.

The main structure is modular assembled with aluminum alloy profiles, 1.0mm thickness steel cold-rolled plates sheet meta. The

sheet meta is processed with a series of complex processes including shearing, bending, welding, stamping and grinding, pre-degreasing, main degreasing, water washing, ceramicization, water washing, drying, epoxy resin electrostatic powder spraying (coating thickness 0.06 -0.08mm), using paint from AkzoNobel (Netherlands), using a 500m automatic spraying line (Suspension type assembly line), baked at 200 degrees, leveled and solidified, and can withstand salt spray testing for 48 hours.



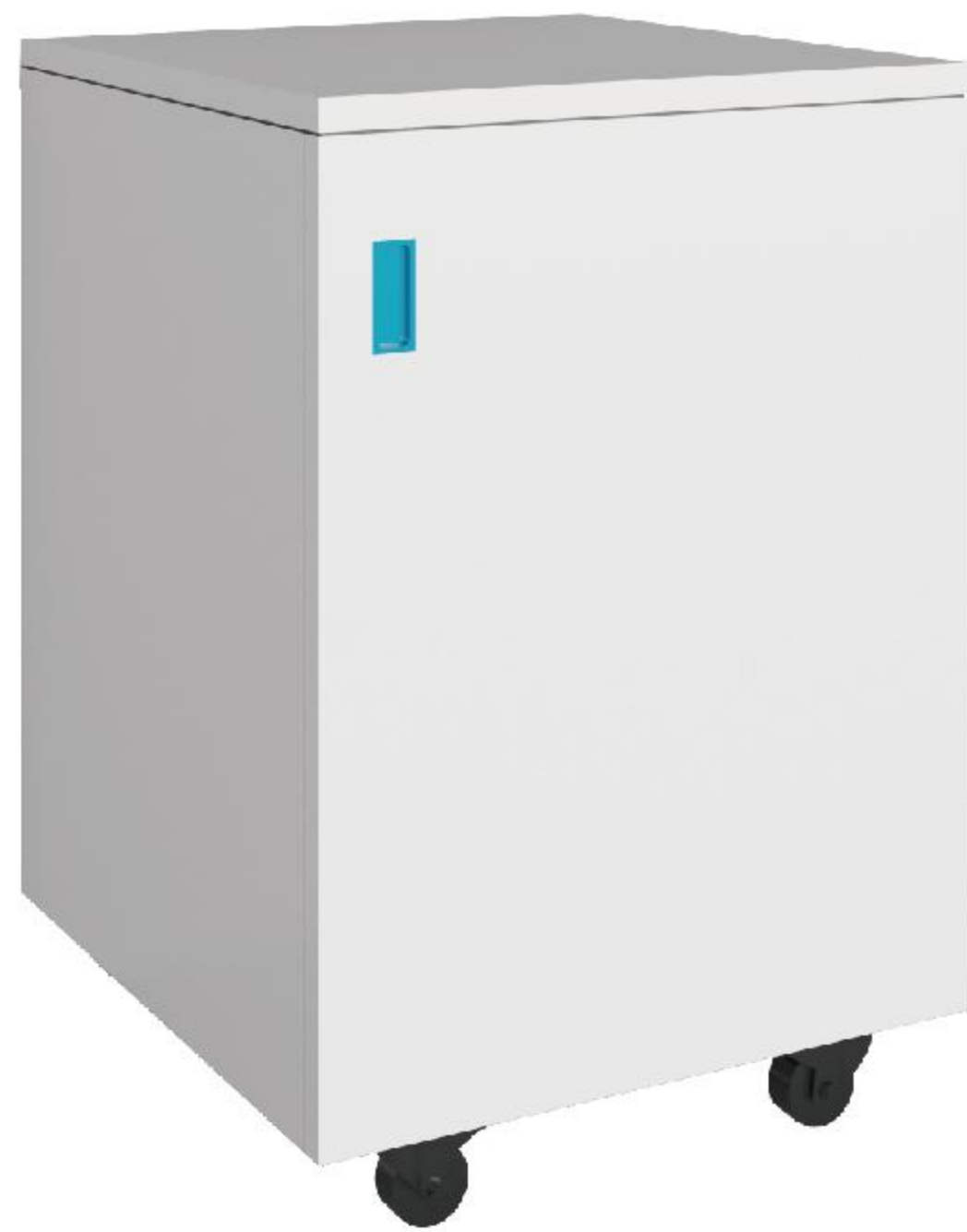
V7 1 door mobile single piece drawing



V7 1 door 1 drawer mobile cabinet single piece drawing



V7 3 drawers mobile cabinet single piece drawing



Item	V7 1 door mobile cabinet	V7 1 door 1 drawer mobile cabinet	V7 3 drawers mobile cabinet	
Model	V7-HDG-450	V7-SD-HDG-450	V7-TD-HDG-450	
Dimension (L*W*H)	450*500*660mm(Excluding the wheel hight 75mm)			
Material	Main body material	Epoxy resin electrostatic sprayed 1.0mm steel, Salt spray resistance test 48h		
	Cabinet door structure	Double layer sound insulation cover door		
	Handle	PVC hidden handle/ 128 stainless steel handle		
	Hinge	DTC buffer hinge	DTC buffer hinge	None
	Slide rail	None	DTC high-quality silent three-section slide rail	

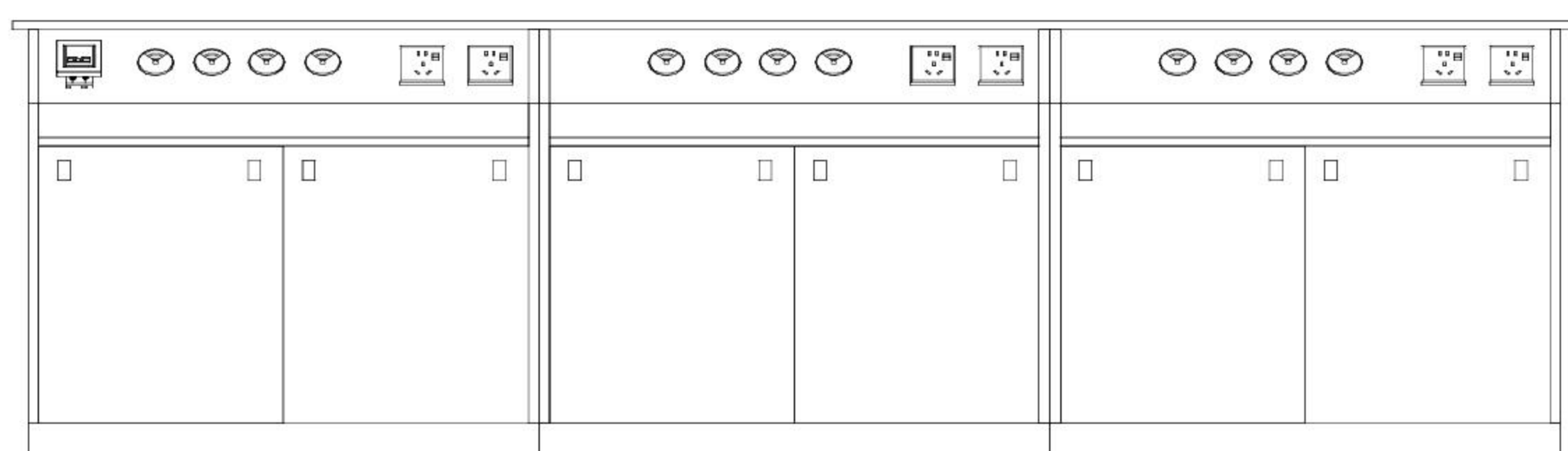
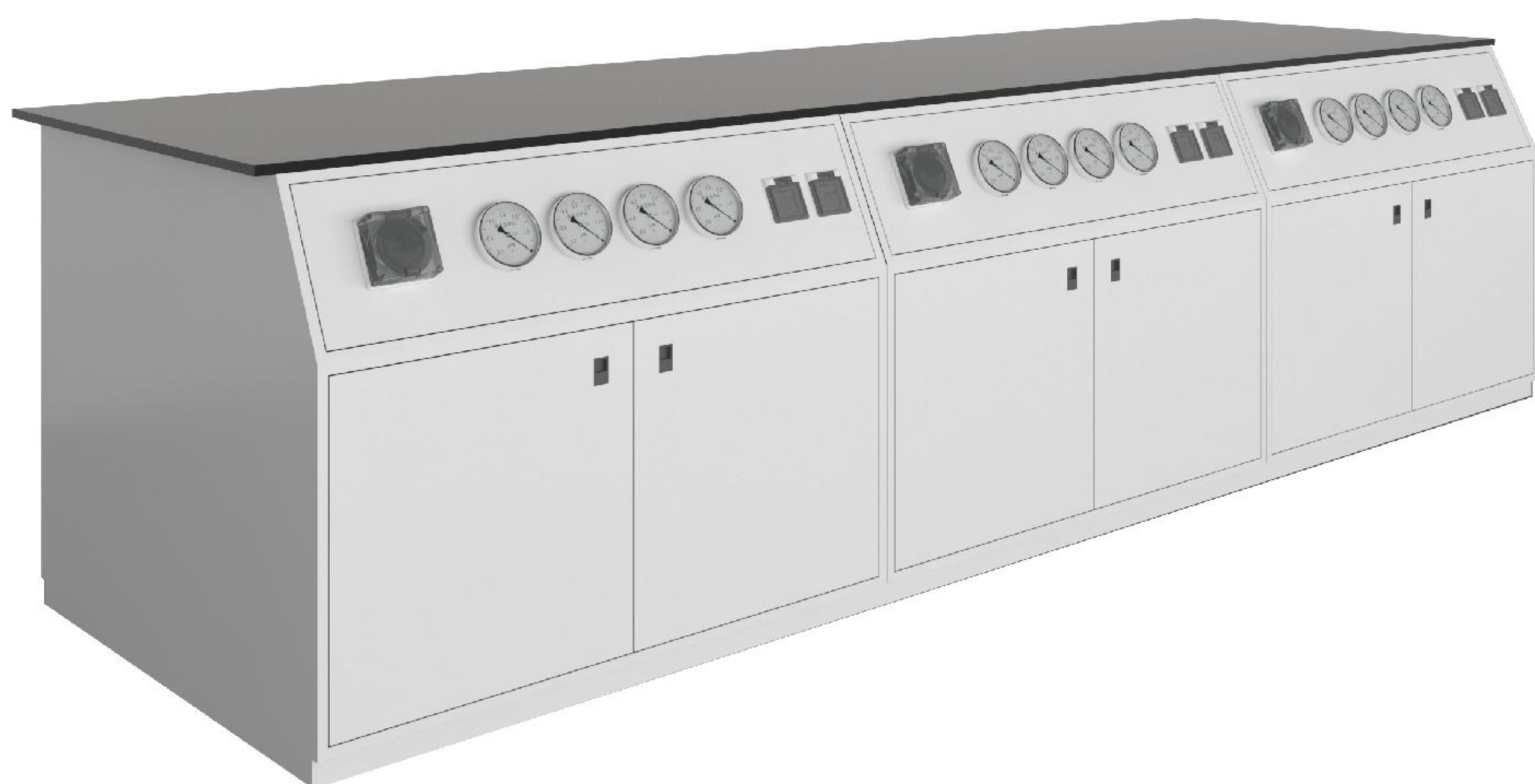
## V7 Instrument Benches

The instrument bench, also known as the instrument experimental bench, is a common and important laboratory equipment that provides a platform for scientific researchers and students to centrally place and operate various instruments.

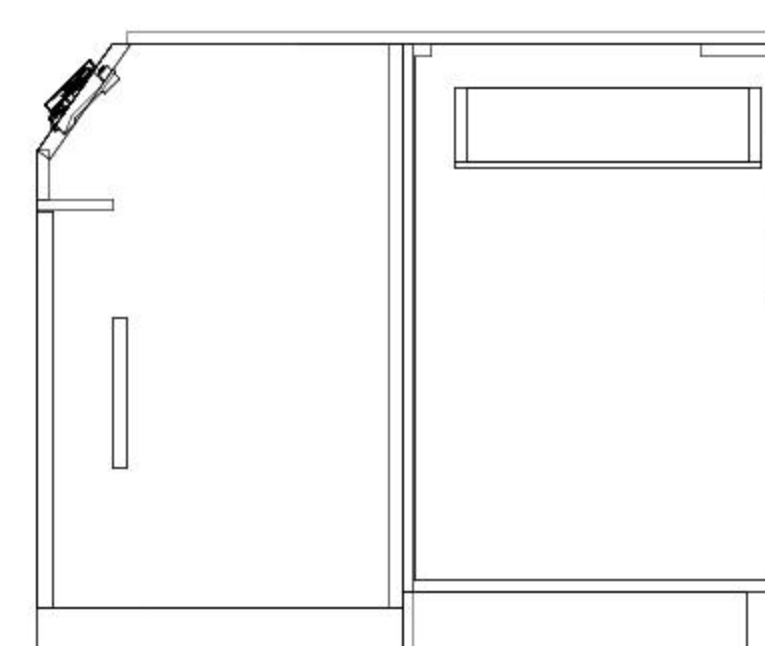
The instrument bench is usually equipped with various sockets and water and gas connectors to improve the research efficiency. Safety factors are also taken into consideration. Paired with ventilation equipment, harmful gases generated by experiments can be quickly discharged.

The main structure is modular assembled with aluminum alloy

profiles, 1.0mm thickness steel cold-rolled plates sheet meta. The sheet meta is processed with a series of complex processes including shearing, bending, welding, stamping and grinding, pre-degreasing, main degreasing, water washing, ceramicization, water washing, drying, epoxy resin electrostatic powder spraying (coating thickness 0.06 -0.08mm), using paint from AkzoNobel (Netherlands), using a 500m automatic spraying line (Suspension type assembly line), baked at 200 degrees, leveled and solidified, and can withstand salt spray testing for 48 hours.



Main view



Lateral view

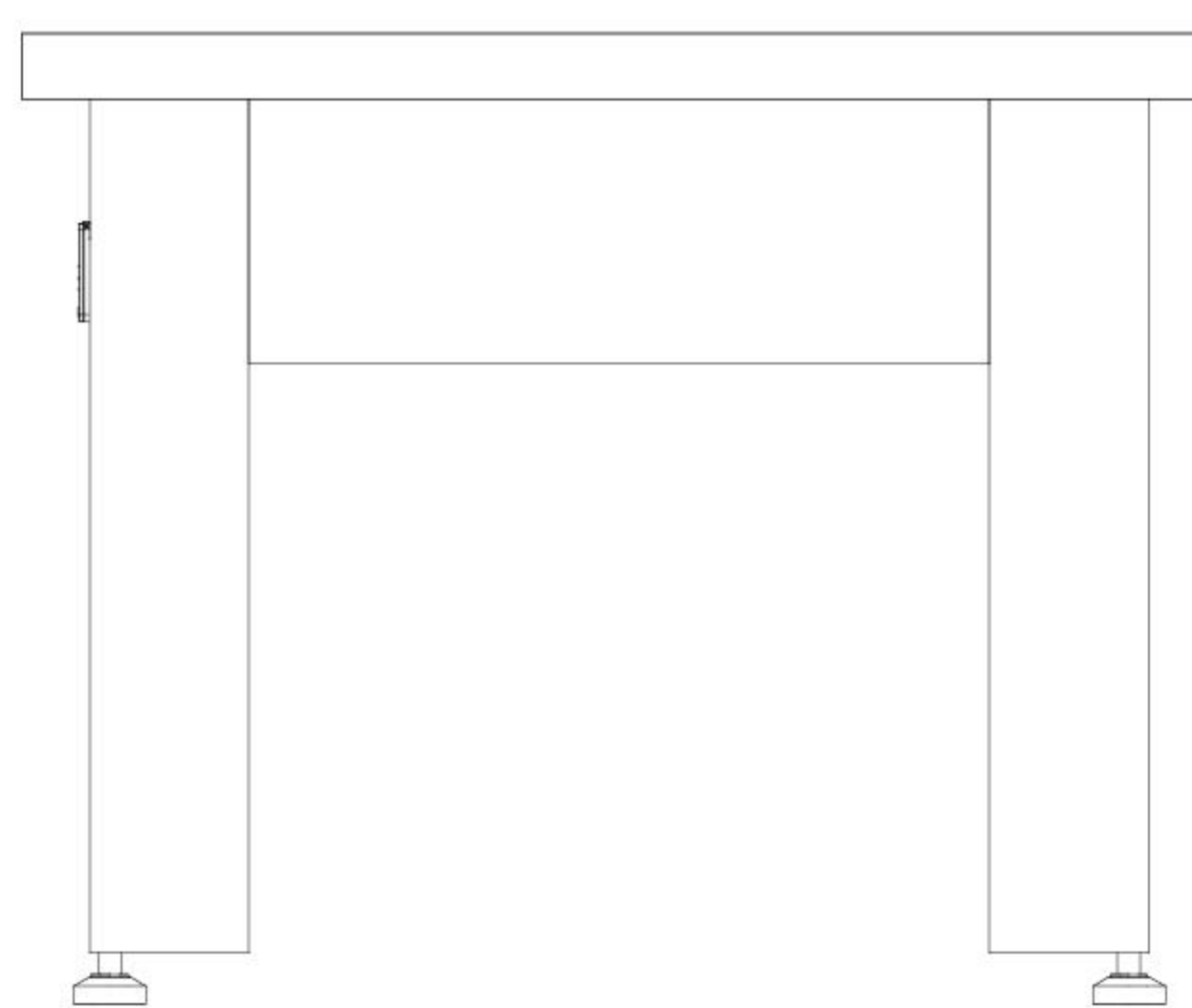
Item	V7 Instrument bench
Model	V7-YQTHG
Dimension (L*W*H)	L*900*850mm
Type	Floor type
Cabinet body	1.0mm steel
Cabinet door structure	Buckle door/sliding door
Material Structure	Disassembly and assembly structure
Paint	Epoxy resin electrostatic spraying, salt spray resistance test for 48 hours
Work top	Physio-chemical board/ceramic board/epoxy resin board (Optional)
Water accessories	Optional

## V7 Stable Benchs

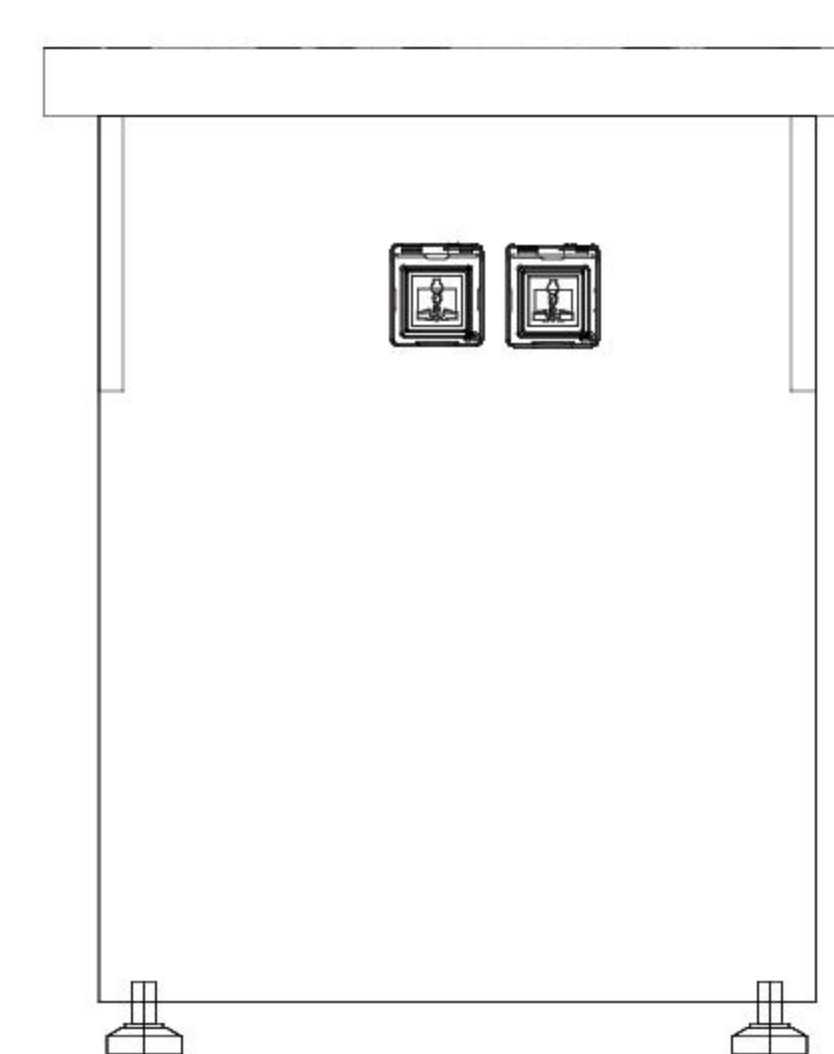
The stable bench is a basic supporting experimental equipment with strong shock absorption effect specially designed for experiments with high precision requirements and anti-interference. It can control the interference in use when various equipment vibrates and resist the interference in use when natural changes in weather, ensuring research accuracy. It is designed with three levels of shock absorption: main structure, bench top, between bench-top and instrument. The shock absorption level is 1/100000.

Structure: Adjustable shock-absorbing square frame on the inner bench top, sheet metal support frame on the outer bench top, inner and outer bench top.

Material: 1.0mm thickness steel cold-rolled plates sheet meta. The sheet meta is processed with a series of complex processes including shearing, bending, welding, stamping and grinding, pre-degreasing, main degreasing, water washing, ceramicization, water washing, drying, epoxy resin electrostatic powder spraying (coating thickness 0.06 -0.08mm), using paint from AkzoNobel (Netherlands), using a 500m automatic spraying line (Suspension type assembly line), baked at 200 degrees, leveled and solidified, and can withstand salt spray testing for 48 hours.



Main view



Lateral view

Item	V7 Stable bench	
Model	V7-JZTPT-900	
Dimension (L*W*H)	900*600*850mm	
Material	Cabinet body	1.0mm steel
	Frame	1.5mm Rectangular steel pipe(60*40)
	Paint	Epoxy resin electrostatic spraying, salt spray resistance test for 48 hours
	Work top	The outer frame is 900*600*40mm marble, and the inner frame is 500*400*80mm marble ( filled with MDF)
	Power socket	2 pieces 86 socket, 2 pieces 75 socket on the right front
	Footing	Rubber



SEFA 10-2020, SEFA 8M-2016, SEFA 11-2020, ASHRAE 110-2016

EN 14727-2005, EN 13150-2020, EN14175-3-2019

GB 24820-2009, GB 6412-1999, QB/T 5589-2021

CE CERTIFIED, CEC TEN-RING CERTIFIED



ISO 9001 / ISO 14001 / ISO 45001 CERTIFIED



TEL: +91-99897 77910

email : [jagadish@densitypharmchem.com](mailto:jagadish@densitypharmchem.com)  
Density Pharmachem Private Limited  
615/A & 624/2/1, Pudur Village,  
Medchal Malkajgiri, Hyderabad - 501401  
Telangana, India  
[www.densitypharmchem.com](http://www.densitypharmchem.com)

Pricing and specs are subject to change without notice! call us for more information!